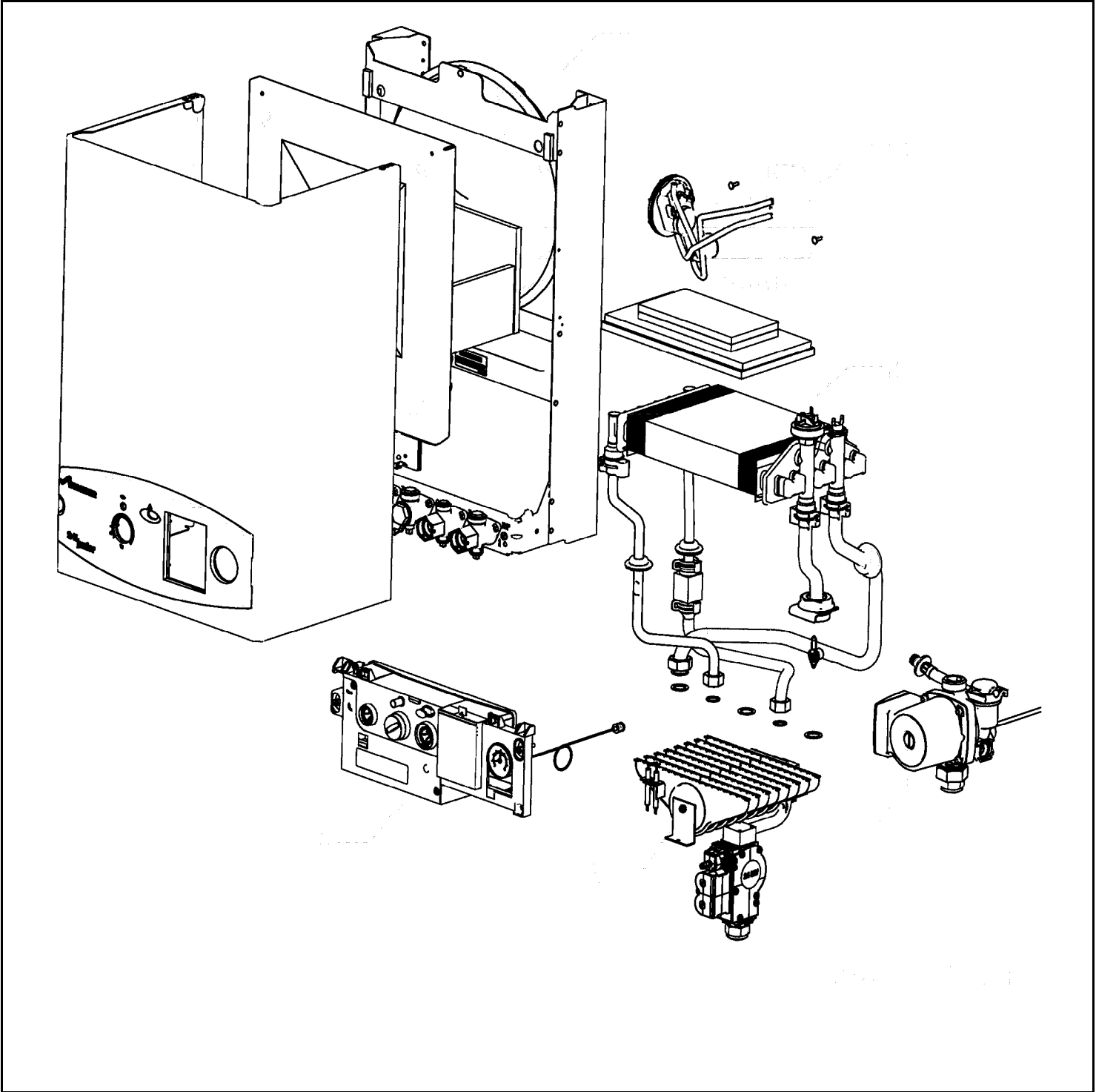


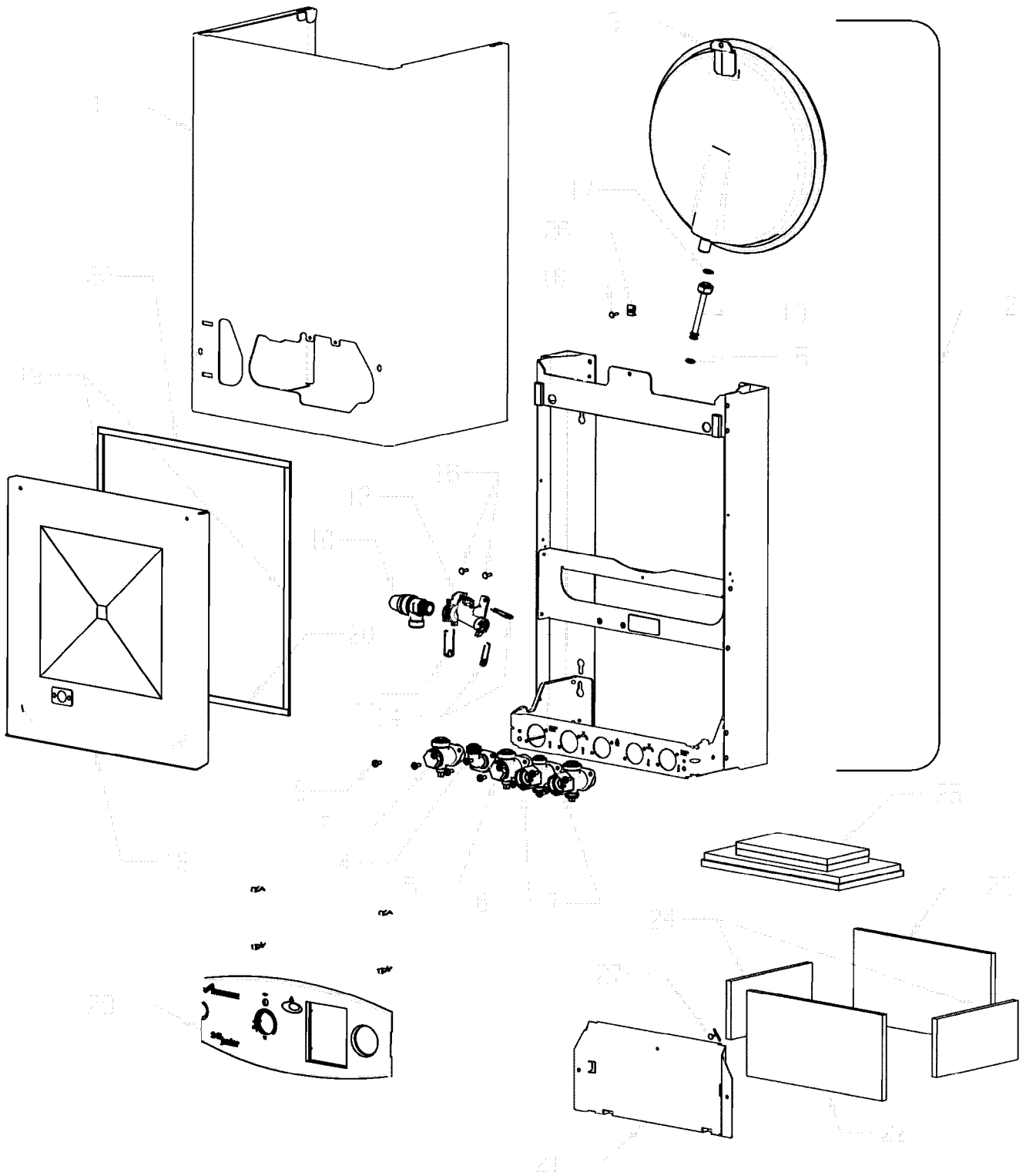
# 24I JUNIOR RSF







Spare parts list



87219601683105

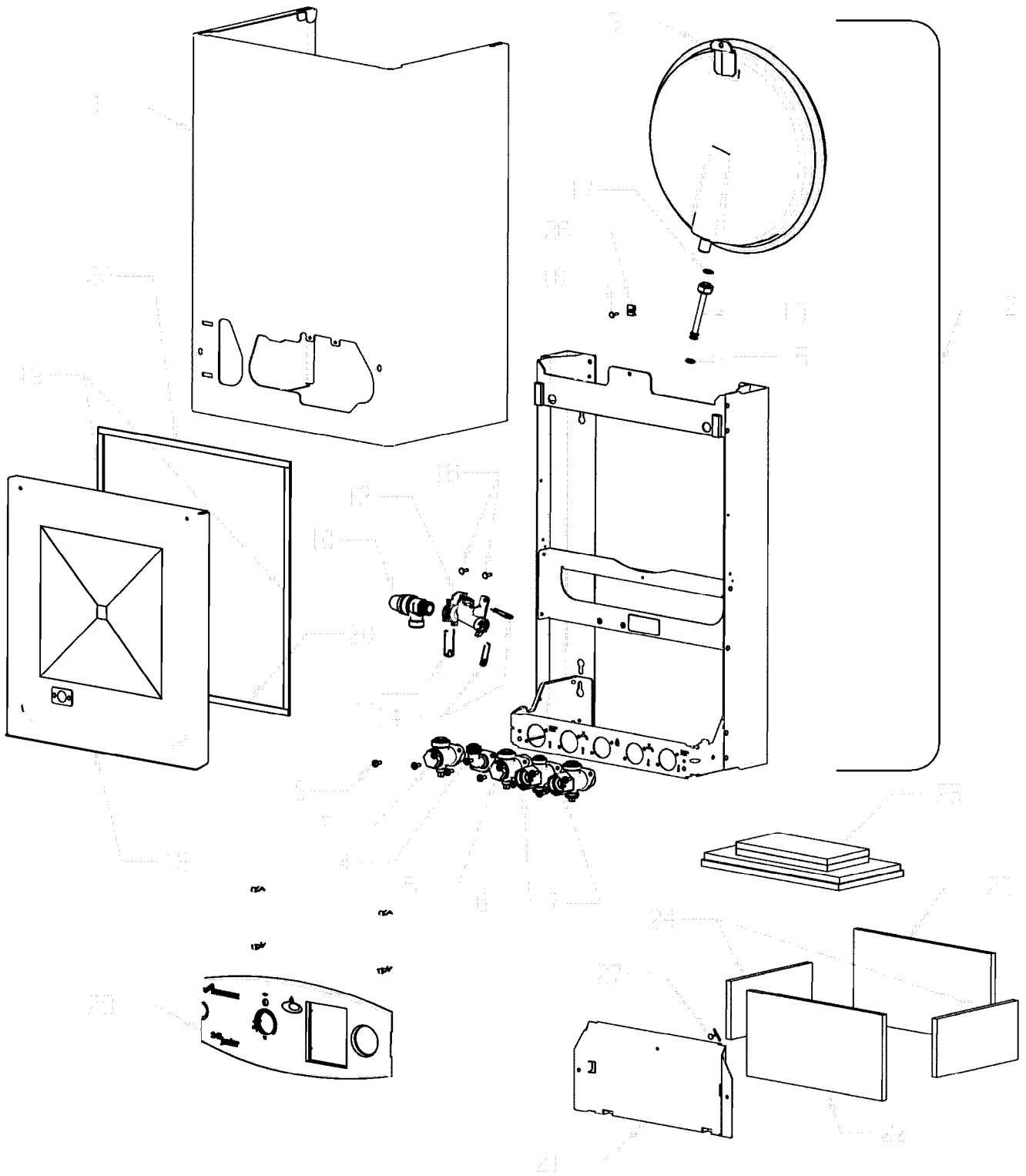
Casing  
D

24i Junior LPG 24i Junior NG

1

Pos	description	S-Nr	ordering no.	PG	gas type	24i Junior LPG	24i Junior NG											remarks
1	Mantle assembly		8 716 105 659 0		LPG	■												
1	Mantle assembly		8 716 105 659 0		NG		■											
2	Wall frame assembly		8 716 105 647 0		LPG	■												
2	Wall frame assembly		8 716 105 647 0		NG		■											
3	Valve - C.H. (uk)		8 716 156 755 0	26	LPG	■												
3	Valve - C.H. (uk)		8 716 156 755 0	26	NG		■											
4	Connector dhw-out (uk)		8 716 156 384 0	20	LPG	■												
4	Connector dhw-out (uk)		8 716 156 384 0	20	NG		■											
5	Gas cock (uk)		8 716 156 753 0		LPG	■												
5	Gas cock (uk)		8 716 156 753 0		NG		■											
6	Valve - dcw in (uk)		8 716 103 424 0	31	LPG	■												
6	Valve - dcw in (uk)		8 716 103 424 0	31	NG		■											
7	Valve - ch (uk)		8 716 103 423 0	31	LPG	■												
7	Valve - ch (uk)		8 716 103 423 0	31	NG		■											
8	Screw M5x12mm taptite zc pl p/h		2 914 411 403 0	12	LPG	■												
8	Screw M5x12mm taptite zc pl p/h		2 914 411 403 0	12	NG		■											
9	Expansion vessel		8 716 105 545 0	39	LPG	■												
9	Expansion vessel		8 716 105 545 0	39	NG		■											
10	Pressure relief valve 312438		8 716 142 404 0	23	LPG	■												
10	Pressure relief valve 312438		8 716 142 404 0	23	NG		■											
11	Wire form spring (x10)		8 716 771 169 0	12	LPG	■												
11	Wire form spring (x10)		8 716 771 169 0	12	NG		■											
12	Manifold/flexible hose kit		8 716 108 132 0		LPG	■												
12	Manifold/flexible hose kit		8 716 108 132 0		NG		■											
13	Pipe expansion vessel		8 716 105 638 0		LPG	■												
13	Pipe expansion vessel		8 716 105 638 0		NG		■											
14	Clamping spring		8 716 771 167 0	12	LPG	■												
14	Clamping spring		8 716 771 167 0	12	NG		■											
15	O ring 7.59 X 2.62 EP70		8 716 105 792 0		LPG	■												
15	O ring 7.59 X 2.62 EP70		8 716 105 792 0		NG		■											
16	Screw no.8x1/2 f/h type b self tap.		2 912 421 225 0	16	LPG	■												
16	Screw no.8x1/2 f/h type b self tap.		2 912 421 225 0	16	NG		■											
17	Washer fibre 15.0 x 10.0 x 1.0		8 716 140 921 0	12	LPG	■												
17	Washer fibre 15.0 x 10.0 x 1.0		8 716 140 921 0	12	NG		■											
18	Front cover assembly		8 716 105 783 0		LPG	■												
18	Front cover assembly		8 716 105 783 0		NG		■											
19	Silicone sponge		8 716 105 766 0		LPG	■												
19	Silicone sponge		8 716 105 766 0		NG		■											
20	Silicone sponge		8 716 105 767 0		LPG	■												
20	Silicone sponge		8 716 105 767 0		NG		■											
21	Combustion cover assembly		8 716 105 438 0		LPG	■												
21	Combustion cover assembly		8 716 105 438 0		NG		■											
22	Insulation front		8 716 105 538 0		LPG	■												
22	Insulation front		8 716 105 538 0		NG		■											
23	Insulation rear		8 716 105 539 0		LPG	■												
23	Insulation rear		8 716 105 539 0		NG		■											
24	Insulation side		8 716 105 540 0		LPG	■												
24	Insulation side		8 716 105 540 0		NG		■											
25	Insulation set		8 716 105 936 0		LPG	■												
25	Insulation set		8 716 105 936 0		NG		■											
26	Nut Captive No:8		8 716 148 204 0	16	LPG	■												
26	Nut Captive No:8		8 716 148 204 0	16	NG		■											
<b>24i Junior LPG 24i Junior NG</b>			Casing D															<b>1</b>

Spare parts list



87219501683105

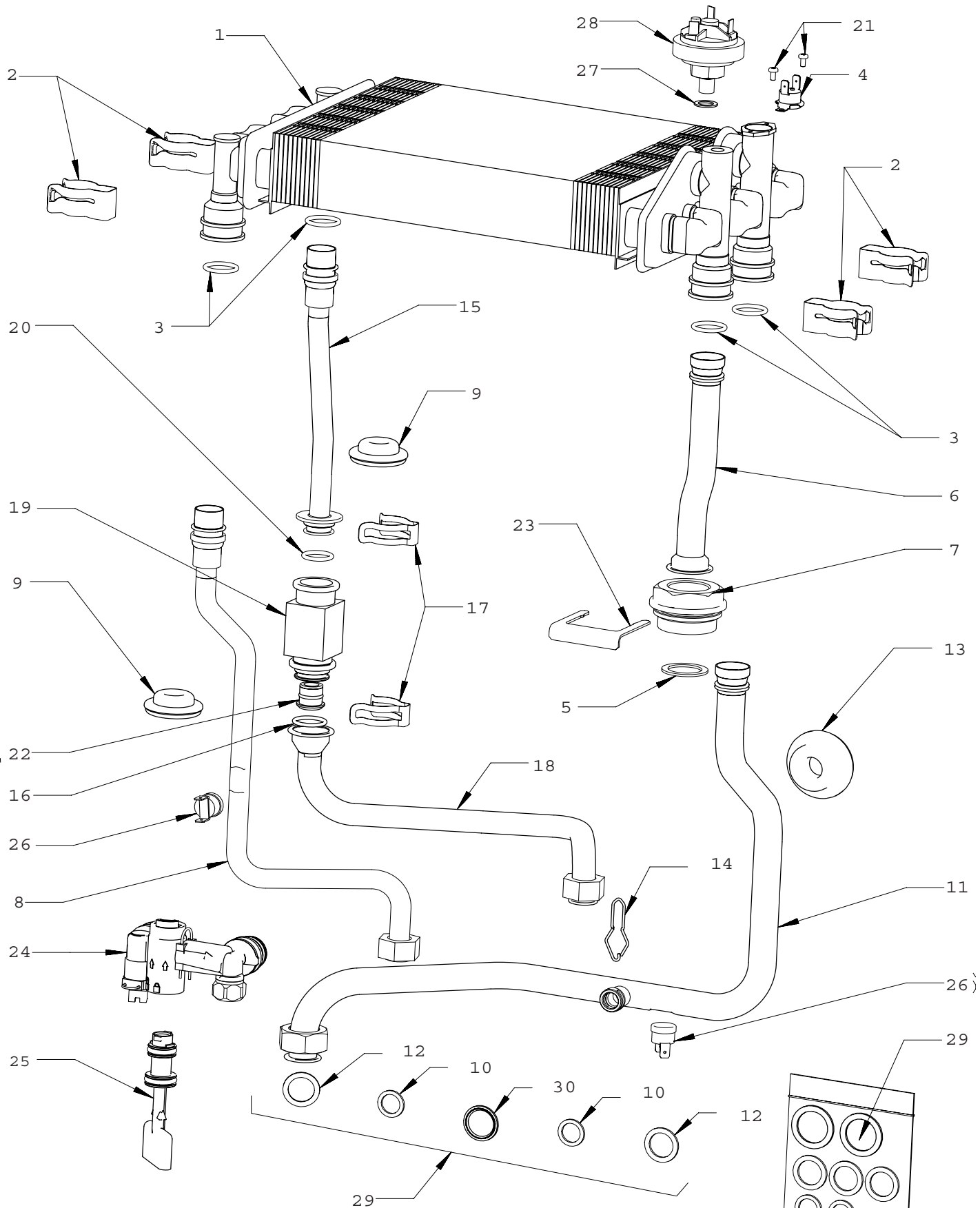
Casing  
D

24i Junior LPG 24i Junior NG

1

Pos	description	S-Nr	ordering no.	PG	gas type	24i Junior LPG	24i Junior NG														remarks	
27	Retaining clip		8 716 148 363 0		LPG	■																
27	Retaining clip		8 716 148 363 0		NG		■															
28	Facia Assembly 24i Junior		8 716 105 798 0		LPG	■																
28	Facia Assembly 24i Junior		8 716 105 798 0		NG		■															
	Bottom panel		8 716 104 742 0		LPG	■																
	Bottom panel		8 716 104 742 0		NG		■															
<b>24i Junior LPG 24i Junior NG</b>			Casing D																		<b>1</b>	

# Spare parts list

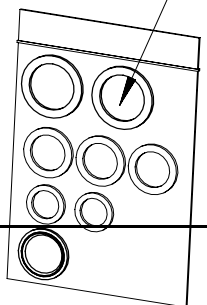


Heat exchanger/ Pipes  
D

**24i Junior LPG 24i Junior NG**

6720900189.AF

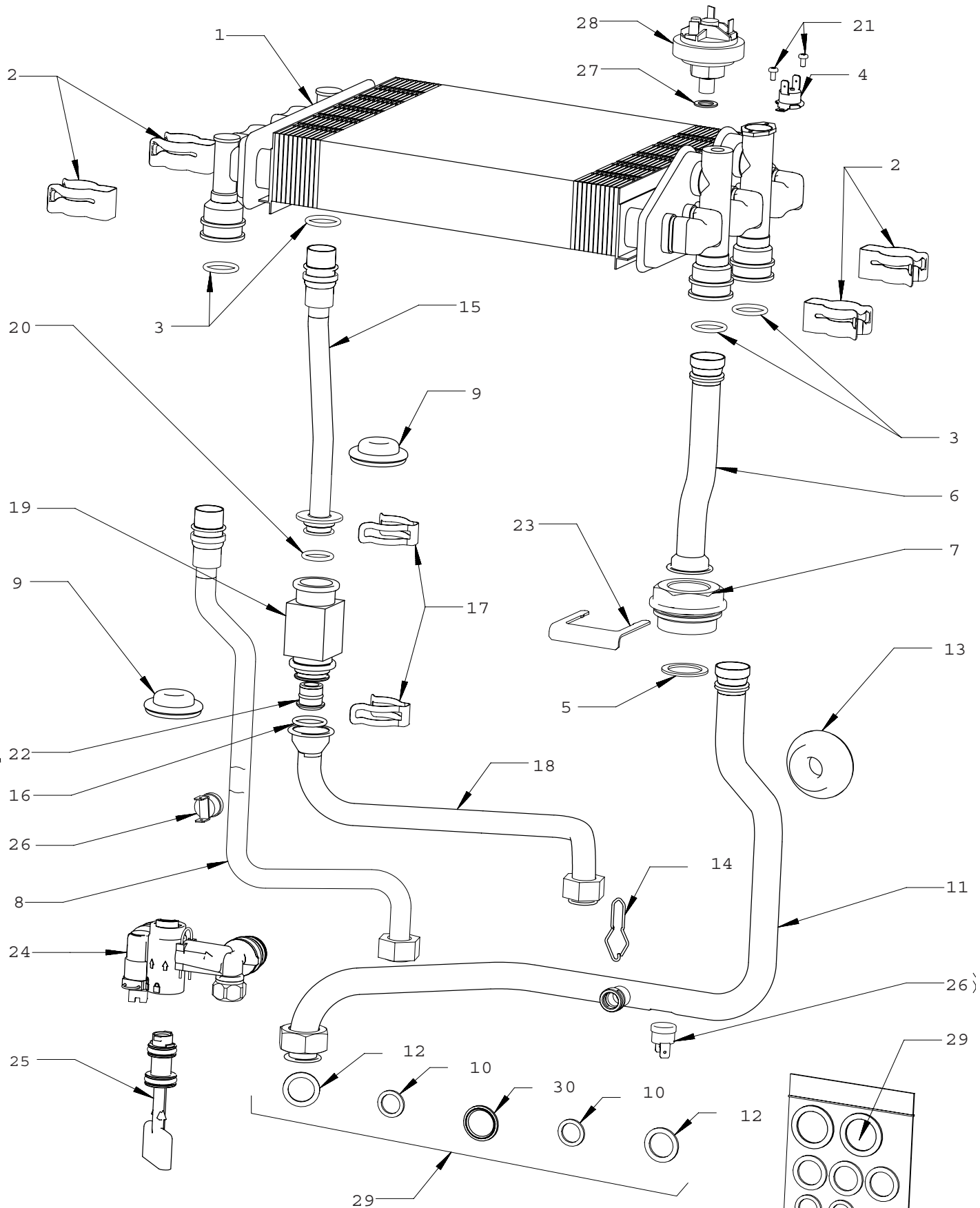
**2**





Pos	description	S-Nr	ordering no.	PG	gas type	24i Junior LPG	24i Junior NG											remarks
1	Heat exchanger gas to water bi-thermal		8 716 105 482 0		LPG	■												
1	Heat exchanger gas to water bi-thermal		8 716 105 482 0		NG		■											
2	Clip heatexchanger		8 716 105 649 0		LPG	■												
2	Clip heatexchanger		8 716 105 649 0		NG		■											
3	O-ring 2.62 X 17.86		8 716 140 806 0	15	LPG	■												
3	O-ring 2.62 X 17.86		8 716 140 806 0	15	NG		■											
4	Overheat thermostat		8 716 142 303 0	39	LPG	■												
4	Overheat thermostat		8 716 142 303 0	39	NG		■											
5	Top Hat Washer		8 716 112 317 0		LPG	■												
5	Top Hat Washer		8 716 112 317 0		NG		■											
6	Pipe primary return		8 716 105 567 0		LPG	■												
6	Pipe primary return		8 716 105 567 0		NG		■											
7	Pump outlet connector		8 716 105 655 0		LPG	■												
7	Pump outlet connector		8 716 105 655 0		NG		■											
8	Pipe dhw assembly		8 716 105 479 0		LPG	■												
8	Pipe dhw assembly		8 716 105 479 0		NG		■											
9	Seal-15mm tube		8 716 140 712 0	17	LPG	■												
9	Seal-15mm tube		8 716 140 712 0	17	NG		■											
10	Washer 18.6 X 13.5 X 1.5 (10x)		8 710 103 045 0	11	LPG	■												
10	Washer 18.6 X 13.5 X 1.5 (10x)		8 710 103 045 0	11	NG		■											
10	Washer 18.6 x 13.5 x 1.5 (1x)		8 716 115 680 0		LPG	■												
10	Washer 18.6 x 13.5 x 1.5 (1x)		8 716 115 680 0		NG		■											
11	Pipe primary flow assembly		8 716 105 566 0	36	LPG	■												
11	Pipe primary flow assembly		8 716 105 566 0	36	NG		■											
12	Fibre washer 23.9 X 17.2 X 1.5 (10x)		8 710 103 043 0	12	LPG	■												
12	Fibre washer 23.9 X 17.2 X 1.5 (10x)		8 710 103 043 0	12	NG		■											
12	Washer 23.9 x 17.2 x 1.5 (X1)		8 716 115 674 0		LPG	■												
12	Washer 23.9 x 17.2 x 1.5 (X1)		8 716 115 674 0		NG		■											
13	Seal 18mm		8 716 106 109 0		LPG	■												
13	Seal 18mm		8 716 106 109 0		NG		■											
14	Clip self retaining		8 716 105 773 0		LPG	■												
14	Clip self retaining		8 716 105 773 0		NG		■											
15	Pipe turbine heat exchanger assembly		8 716 105 478 0		LPG	■												
15	Pipe turbine heat exchanger assembly		8 716 105 478 0		NG		■											
16	O-Ring 17.6 ID X 2.4 EP		8 716 140 820 0	02	LPG	■												
16	O-Ring 17.6 ID X 2.4 EP		8 716 140 820 0	02	NG		■											
17	Clamp spring (10x)		8 716 102 607 0	22	LPG	■												
17	Clamp spring (10x)		8 716 102 607 0	22	NG		■											
18	Pipe dcw assembly		8 716 105 477 0		LPG	■												
18	Pipe dcw assembly		8 716 105 477 0		NG		■											
19	Flow sensor		8 716 146 164 0	36	LPG	■												
19	Flow sensor		8 716 146 164 0	36	NG		■											
20	O-ring 2.62 X 15.54 id ep		8 716 140 805 0	15	LPG	■												
20	O-ring 2.62 X 15.54 id ep		8 716 140 805 0	15	NG		■											
21	Screw m3x6mm zc pl p/h taptite		2 914 411 411 0	18	LPG	■												
21	Screw m3x6mm zc pl p/h taptite		2 914 411 411 0	18	NG		■											
22	Flow regulator - c/w filter		8 716 141 255 0	25	LPG	■												
22	Flow regulator - c/w filter		8 716 141 255 0	25	NG		■											
23	Pump outlet connector clip		8 716 105 658 0		LPG	■												
23	Pump outlet connector clip		8 716 105 658 0		NG		■											
24	Charging link assembly		8 716 104 592 0		LPG	■												
24	Charging link assembly		8 716 104 592 0		NG		■											
<b>24i Junior LPG 24i Junior NG</b>			Heat exchanger/ Pipes D															<b>2</b>

# Spare parts list



Heat exchanger/ Pipes  
D

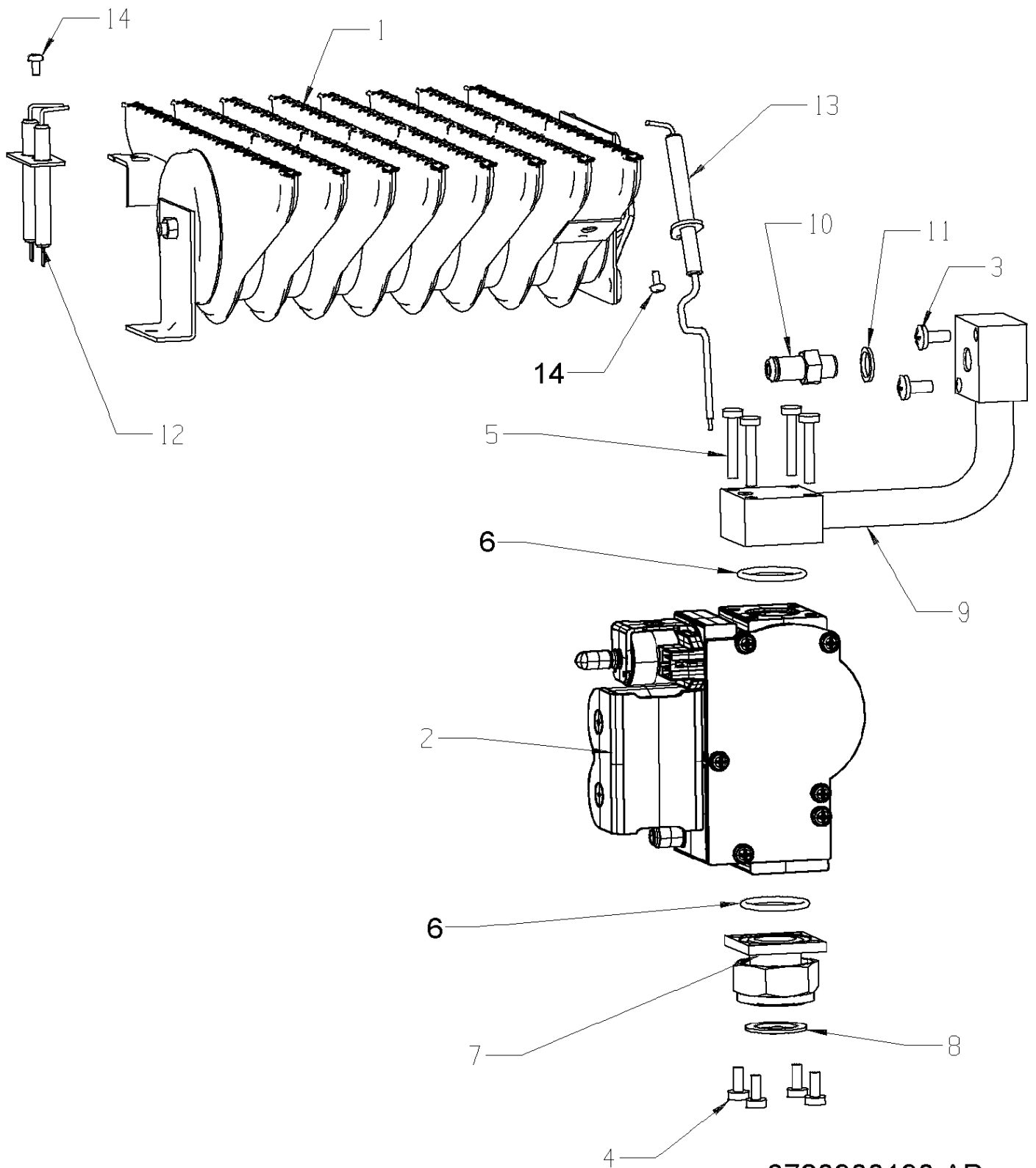
**24i Junior LPG 24i Junior NG**

6720900189.AF

**2**

Pos	description	S-Nr	ordering no.	PG	gas type	24i Junior LPG	24i Junior NG														remarks
25	Charging key assembly		8 716 104 591 0		LPG	■															
25	Charging key assembly		8 716 104 591 0		NG		■														
26	Ntc/thermister dhw		8 716 142 302 0	17	LPG	■															
26	Ntc/thermister dhw		8 716 142 302 0	17	NG		■														
27	Washer fibre 15.0 x 10.0 x 1.0		8 716 140 921 0	12	LPG	■															
27	Washer fibre 15.0 x 10.0 x 1.0		8 716 140 921 0	12	NG		■														
28	Water pressure switch		8 716 105 111 0		LPG	■															
28	Water pressure switch		8 716 105 111 0		NG		■														
29	Washer set-mounting set		8 716 115 535 0		LPG	■															
29	Washer set-mounting set		8 716 115 535 0		NG		■														
24i Junior LPG 24i Junior NG		Heat exchanger/ Pipes D																		2	

Spare parts list



6720900190.AB

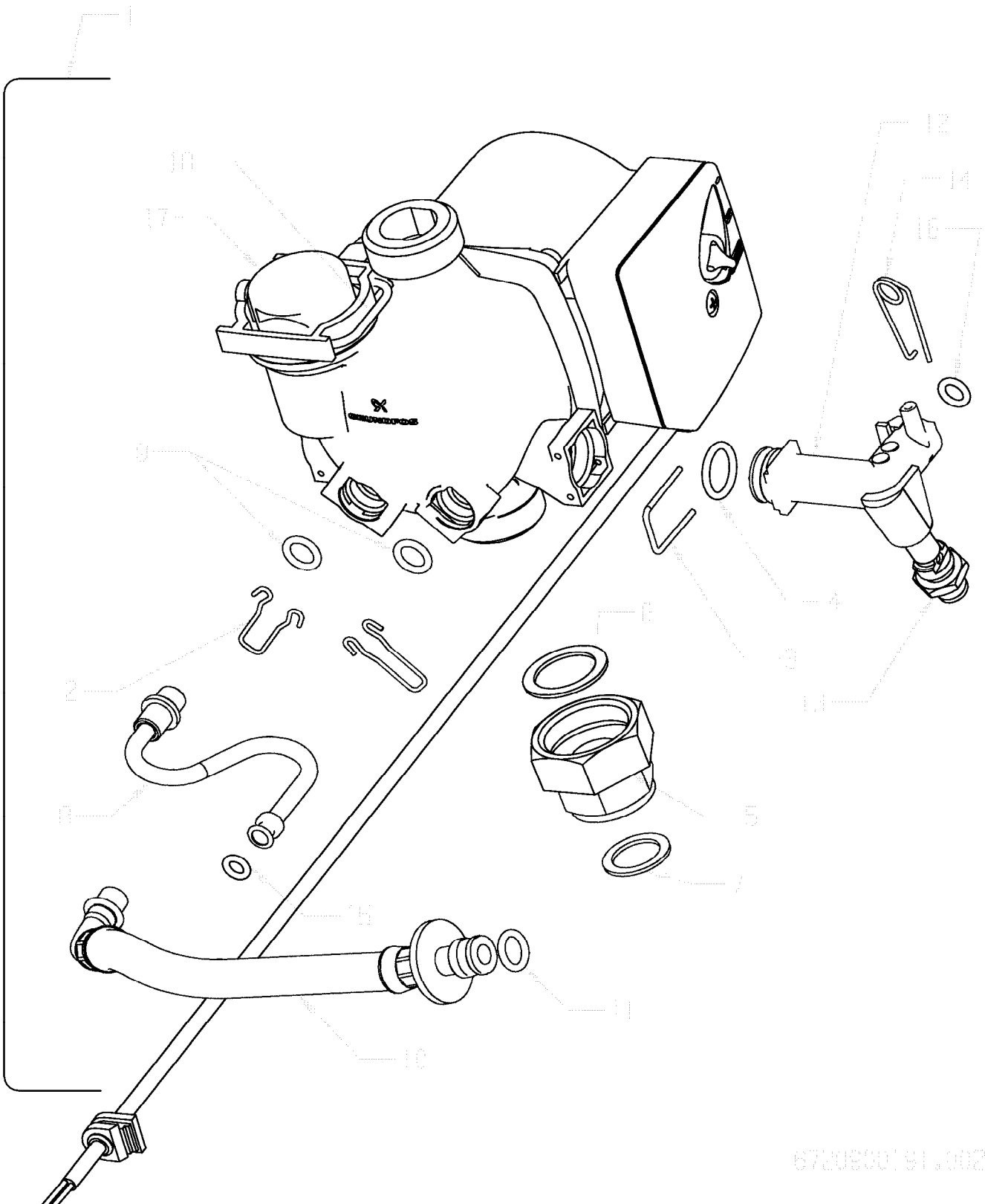
Burner / gas valve assembly  
D

24i Junior LPG 24i Junior NG

3

Pos	description	S-Nr	ordering no.	PG	gas type	24i Junior LPG	24i Junior NG												remarks
1	Burner		8 716 105 484 0		NG	■													
1	Burner lpg		8 716 105 490 0		LPG	■													
2	Gas Valve LPG (Dungs)		8 716 105 650 0		LPG	■													
2	Gas valve		8 716 105 654 0		NG	■													
3	Screw m5x10mm zc pl p/h taptite Scr		2 914 411 420 0	02	LPG	■													
3	Screw m5x10mm zc pl p/h taptite Scr		2 914 411 420 0	02	NG	■													
4	Screw M4x10 lg pozi pan hd m/c		2 912 301 120 0	12	LPG	■													
4	Screw M4x10 lg pozi pan hd m/c		2 912 301 120 0	12	NG	■													
5	Screw M4 x 25		2 912 301 132 0		LPG	■													
5	Screw M4 x 25		2 912 301 132 0		NG	■													
6	O-Ring 2.62x22.23 id h-nitrile		8 716 140 827 0		LPG	■													
6	O-Ring 2.62x22.23 id h-nitrile		8 716 140 827 0		NG	■													
7	Gas inlet manifold assembly		8 716 105 694 0		LPG	■													
7	Gas inlet manifold assembly		8 716 105 694 0		NG	■													
8	Fibre washer 23.9 X 17.2 X 1.5 (10x)		8 710 103 043 0	12	LPG	■													
8	Fibre washer 23.9 X 17.2 X 1.5 (10x)		8 710 103 043 0	12	NG	■													
8	Washer 23.9 x 17.2 x 1.5 (X1)		8 716 115 674 0		LPG	■													
8	Washer 23.9 x 17.2 x 1.5 (X1)		8 716 115 674 0		NG	■													
9	Gas manifold assembly		8 716 105 449 0		LPG	■													
9	Gas manifold assembly		8 716 105 449 0		NG	■													
10	Main burner injector 4.3 dia.		8 716 140 224 0		NG	■													
10	Main burner injector - lpg		8 716 156 373 0		LPG	■													
11	Washer copper OD14.MM X ID10.3MM X 1.5MM		8 716 101 994 0		LPG	■													
11	Washer copper OD14.MM X ID10.3MM X 1.5MM		8 716 101 994 0		NG	■													
12	Electrode spark		8 716 105 186 0		LPG	■													
12	Electrode spark		8 716 105 186 0		NG	■													
13	Flame sence electrode and harness		8 716 120 345 0	35	LPG	■													
13	Flame sence electrode and harness		8 716 120 345 0	35	NG	■													
14	Screw m3x6mm zc pl p/h taptite		2 914 411 411 0	18	LPG	■													
14	Screw m3x6mm zc pl p/h taptite		2 914 411 411 0	18	NG	■													
<b>24i Junior LPG 24i Junior NG</b>			Burner / gas valve assembly D																<b>3</b>

Spare parts list



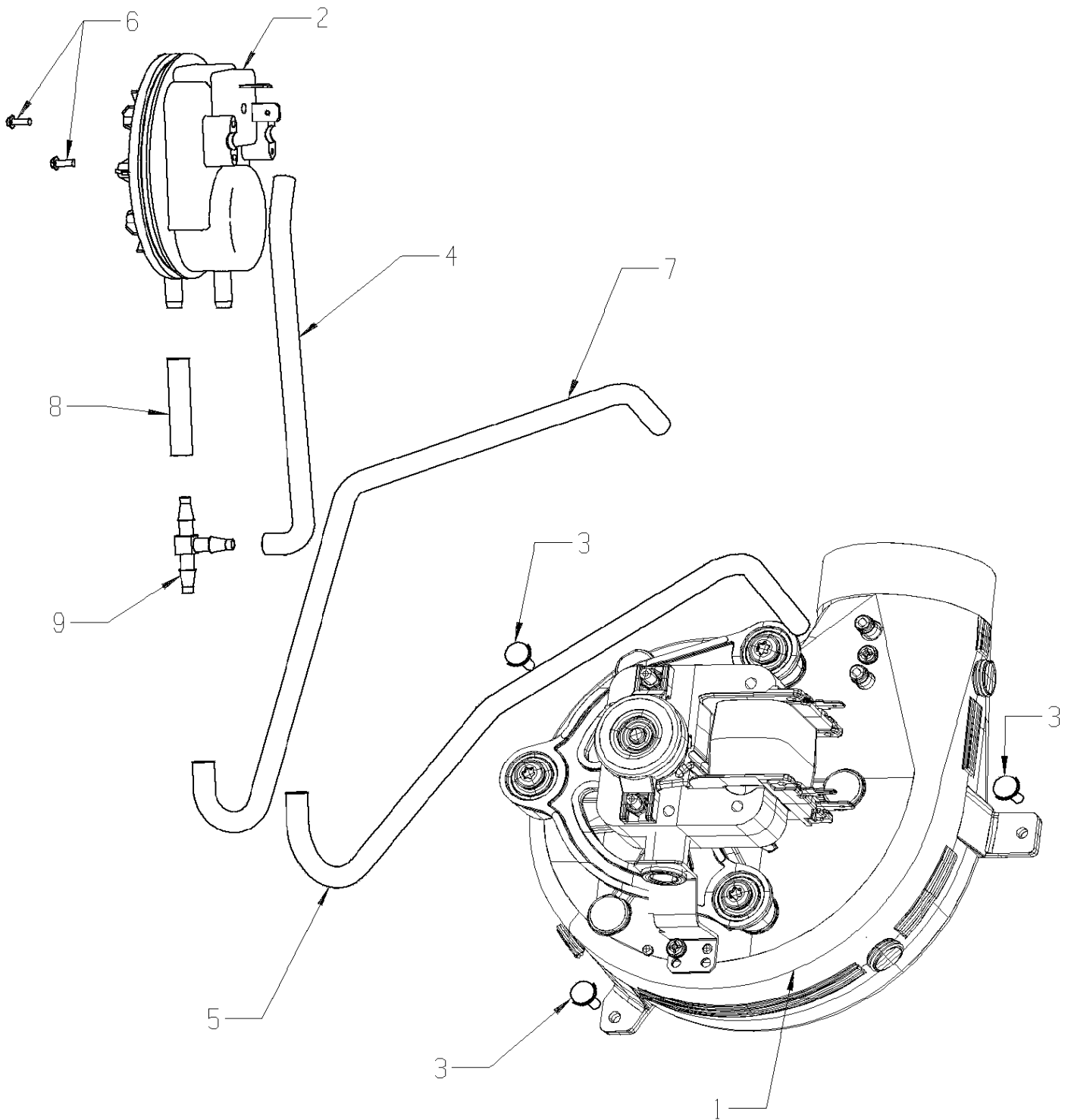
Pump  
D

24i Junior LPG 24i Junior NG

4



Spare parts list



6720900192.AA

Fan  
D

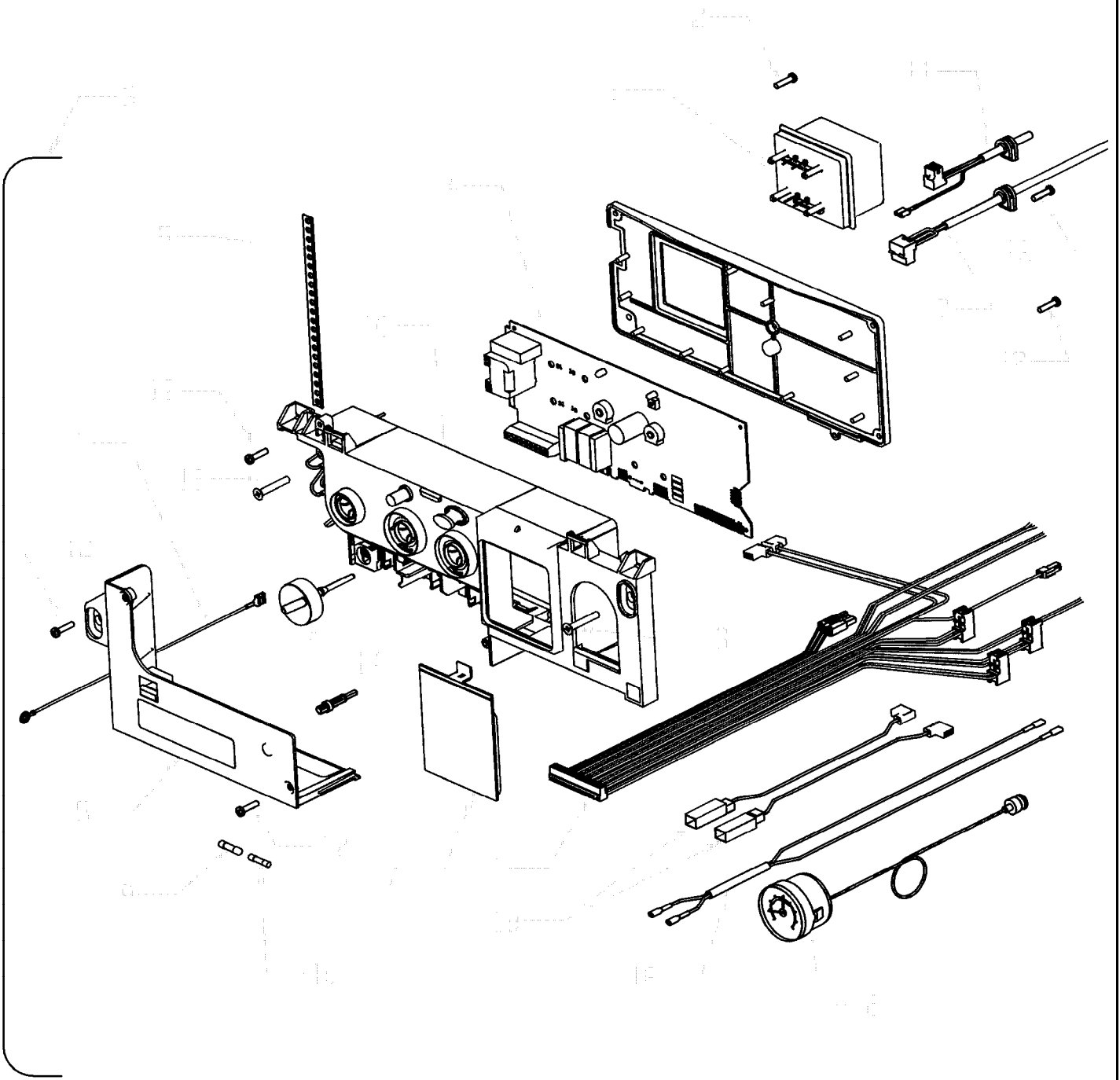
5

24i Junior LPG 24i Junior NG



Pos	description	S-Nr	ordering no.	PG	gas type	24i Junior LPG	24i Junior NG												remarks	
1	Fan		8 716 105 652 0		LPG	■														
1	Fan		8 716 105 652 0		NG		■													
2	Air pressure switch huba		8 716 104 461 0		LPG	■														
2	Air pressure switch huba		8 716 104 461 0		NG		■													
3	Screw no.8x1/2 f/h type b self tap.		2 912 421 225 0	16	LPG	■														
3	Screw no.8x1/2 f/h type b self tap.		2 912 421 225 0	16	NG		■													
4	Silicone Tube 125mm		8 716 105 769 0		LPG	■														
4	Silicone Tube 125mm		8 716 105 769 0		NG		■													
5	Silicone Tube Red 340mm		8 716 105 770 0		LPG	■														
5	Silicone Tube Red 340mm		8 716 105 770 0		NG		■													
6	Screw huba air press switch 2.5X6 pozi 1		8 716 155 057 0		LPG	■														
6	Screw huba air press switch 2.5X6 pozi 1		8 716 155 057 0		NG		■													
7	Sampling tube		8 716 100 701 0		LPG	■														
7	Sampling tube		8 716 100 701 0		NG		■													
8	Aps tube negative		8 716 101 264 0		LPG	■														
8	Aps tube negative		8 716 101 264 0		NG		■													
9	T piece moulding ref 416teep		8 716 141 205 0	16	LPG	■														
9	T piece moulding ref 416teep		8 716 141 205 0	16	NG		■													
<b>24i Junior LPG 24i Junior NG</b>																			Fan D	<b>5</b>

# Spare parts list



Control box  
D

6

24i Junior LPG 24i Junior NG

Pos	description	S-Nr	ordering no.	PG	gas type	24i Junior LPG	24i Junior NG											remarks
1	Harness main		8 716 105 876 0		LPG	■												
1	Harness main		8 716 105 876 0		NG		■											
2	Harness earth		8 716 105 875 0		LPG	■												
2	Harness earth		8 716 105 875 0		NG		■											
3	Control box assembly		8 716 105 660 0		LPG	■												
3	Control box assembly		8 716 105 660 0		NG		■											
4	Printed circuit board		8 748 300 484 0		LPG	■												
4	Printed circuit board		8 748 300 484 0		NG		■											
5	Front panel assembly		8 716 105 764 0		LPG	■												
5	Front panel assembly		8 716 105 764 0		NG		■											
6	Pressure gauge		8 716 142 398 0		LPG	■												
6	Pressure gauge		8 716 142 398 0		NG		■											
7	Inset plate		8 711 000 275 0	21	LPG	■												
7	Inset plate		8 711 000 275 0	21	NG		■											
8	Transformer		8 747 201 319 0		LPG	■												
8	Transformer		8 747 201 319 0		NG		■											
9	Fuse 2a slow blow 20 x 5mm		8 716 156 000 0		LPG	■												
9	Fuse 2a slow blow 20 x 5mm		8 716 156 000 0		NG		■											
10	Fuse 1.25a 20mm antisurge		8 716 156 001 0		LPG	■												
10	Fuse 1.25a 20mm antisurge		8 716 156 001 0		NG		■											
11	Cable		8 716 101 902 0	28	LPG	■												
11	Cable		8 716 101 902 0	28	NG		■											
12	Screw posi pan z/p 4MM X 16 PT		2 914 201 305 0		LPG	■												
12	Screw posi pan z/p 4MM X 16 PT		2 914 201 305 0		NG		■											
13	Screw M5x30 csk zp pozi		2 912 331 166 0	12	LPG	■												
13	Screw M5x30 csk zp pozi		2 912 331 166 0	12	NG		■											
14	Temperature control knob		8 712 000 115 0	21	LPG	■												
14	Temperature control knob		8 712 000 115 0	21	NG		■											
15	Safety strap		8 716 101 720 0	19	LPG	■												
15	Safety strap		8 716 101 720 0	19	NG		■											
16	Control box main body		8 716 105 371 0		LPG	■												
16	Control box main body		8 716 105 371 0		NG		■											
17	Harness - fan		8 716 104 903 0	26	LPG	■												
17	Harness - fan		8 716 104 903 0	26	NG		■											
18	Harness ignition		8 716 105 901 0		LPG	■												
18	Harness ignition		8 716 105 901 0		NG		■											
19	Control Box Clip		8 716 111 172 0		LPG	■												
19	Control Box Clip		8 716 111 172 0		NG		■											
<b>24i Junior LPG 24i Junior NG</b>			Control box D												<b>6</b>			

**ADDITIONAL SPARE PARTS  
FOR APPLIANCE  
NOT DRAWN**

9099

6720900999.AA

Additional Spare Part  
D

**24i Junior LPG 24i Junior NG**

**9**

Pos	description	S-Nr	ordering no.	PG	gas type	24i Junior LPG	24i Junior NG												remarks
	IS digital prog G'star HE, junior,Si II		8 716 104 795 0		LPG	■													
	IS digital prog G'star HE, junior,Si II		8 716 104 795 0		NG		■												
	Digistat receiver he/si-ii- so24ri		8 716 105 129 0		LPG	■													
	Digistat receiver he/si-ii- so24ri		8 716 105 129 0		NG		■												
	Programmer mechanical		8 716 105 130 0		LPG	■													
	Programmer mechanical		8 716 105 130 0		NG		■												
	User guide 24/28i Junior		8 716 105 874 0		LPG	■													
	User guide 24/28i Junior		8 716 105 874 0		NG		■												
	Literature Pack - 24/28 I junior		8 716 105 890 0		LPG	■													
	Literature Pack - 24/28 I junior		8 716 105 890 0		NG		■												
	User instructions short i-Junior		8 716 105 891 0		LPG	■													
	User instructions short i-Junior		8 716 105 891 0		NG		■												
	Gas conversion kit lpg to ng 24i Junior		8 716 105 966 0		LPG	■													
	Gas conversion kit ng to lpg 24i Junior		8 716 105 967 0		NG		■												
	Digistat mech transmitter		8 716 106 191 0		LPG	■													
	Digistat mech transmitter		8 716 106 191 0		NG		■												
	Digistat mech receiver		8 716 106 192 0		LPG	■													
	Digistat mech receiver		8 716 106 192 0		NG		■												
	Twin Channel Digital Receiver DT20 RF		8 716 106 669 0		LPG	■													
	Twin Channel Digital Receiver DT20 RF		8 716 106 669 0		NG		■												
	i junior 24/28 srv & instal manual		8 716 106 766 0		LPG	■													
	i junior 24/28 srv & instal manual		8 716 106 766 0		NG		■												
	Digistat Optimiser Transmitter MK2		8 716 114 462 0		LPG	■													
	Digistat Optimiser Transmitter MK2		8 716 114 462 0		NG		■												
	DT20RF Room Thermostat Transmitter MK2		8 716 114 463 0		LPG	■													
	DT20RF Room Thermostat Transmitter MK2		8 716 114 463 0		NG		■												
	IO DT20RF Programmer WoP		8 716 114 478 0		LPG	■													
	IO DT20RF Programmer WoP		8 716 114 478 0		NG		■												
<b>24i Junior LPG 24i Junior NG</b>			Additional Spare Part D																<b>9</b>

**List of translations**

Pos			
1			
2			
3			
4			
5			
6			
7			
8			
9			
10			
11			
12			
13			
14			
15			
16			
17			
18			
19			
20			
21			
22			
23			
24			
25			
26			
27			
28			
<b>2</b>			
1			
2			
3			
4			
5			
6			
7			
8			
9			
10			
11			
12			
13			
14			
15			
16			
17			
18			
19			
20			
21			
22			
23			
24			
25			
26			
Pos			

**List of translations**

27				
28				
29				
<b>3</b>				
1				
2				
3				
4				
5				
6				
7				
8				
9				
10				
11				
12				
13				
14				
<b>4</b>				
1				
2				
3				
4				
5				
6				
7				
8				
9				
10				
12				
13				
14				
15				
16				
17				
18				
<b>5</b>				
1				
2				
3				
4				
5				
6				
7				
8				
9				
<b>6</b>				
1				
2				
3				
4				
5				
6				
7				
8				
9				
Pos				





**Types of appliances**

Appliance	ordering no.	Country remarks
<b>24I JUNIOR-FSN-GB NAT GAS COMB</b>	7 716 130 133	United Kingdom
<b>24I JUNIOR-FSP-GB LPG COMBI</b>	7 716 130 134	United Kingdom









