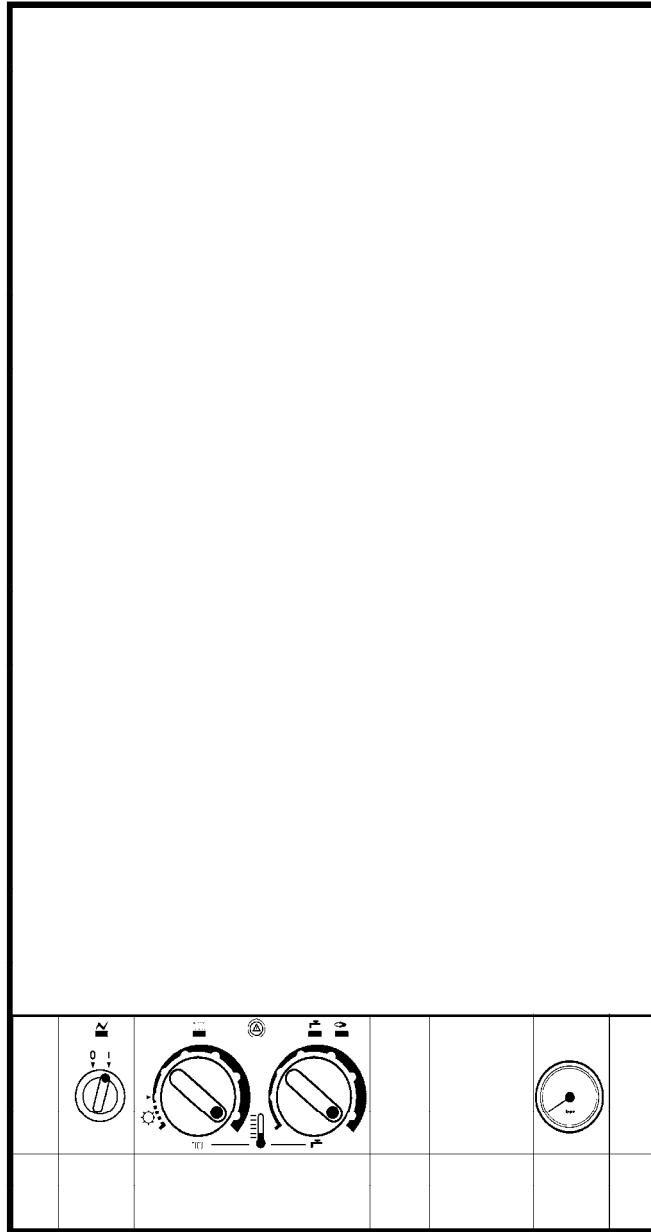


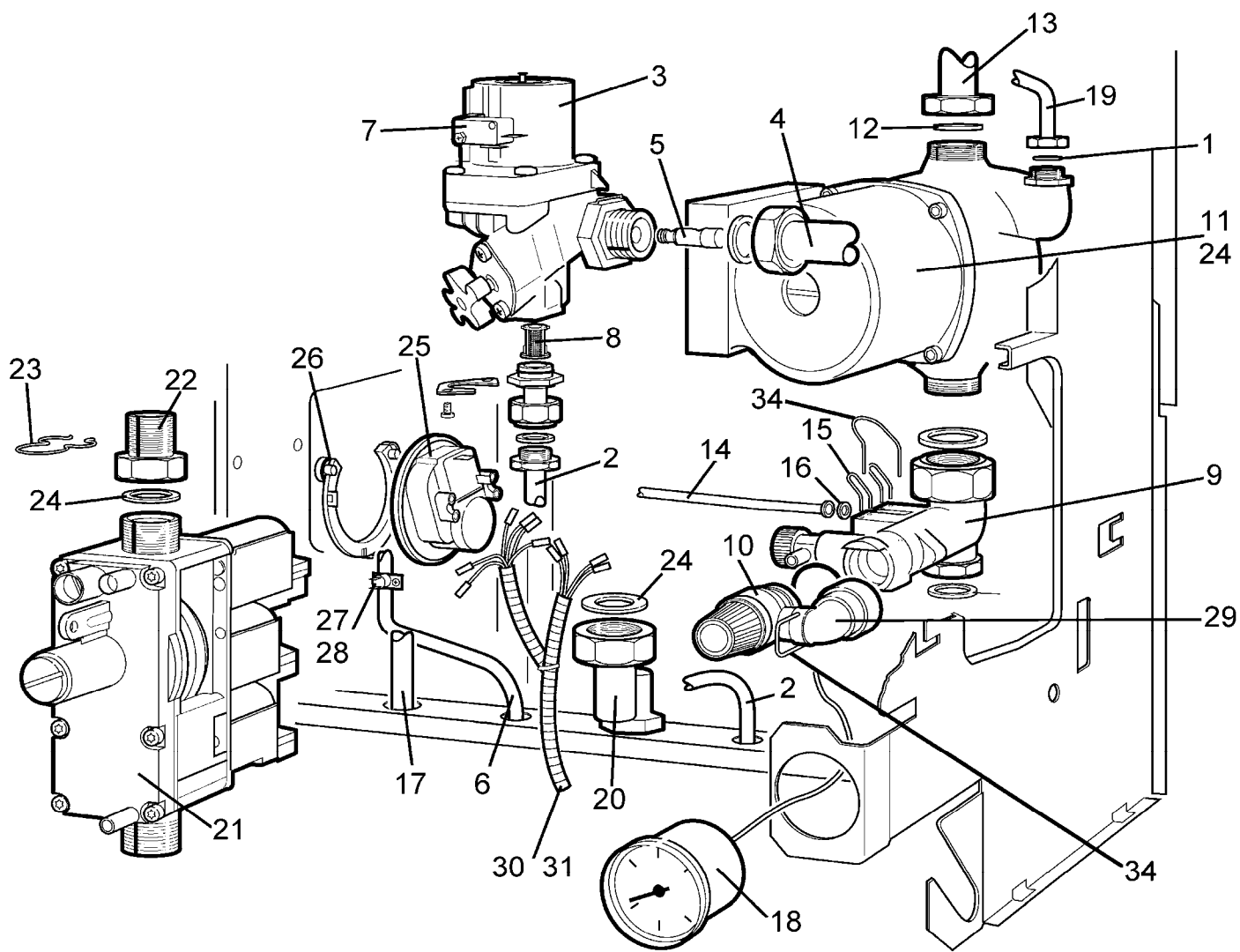
25SI RSF



- 1 Hydraulics & Pump Assy
- 2 Superstructure
- 3 Electrical Assy
- 4 Casing
- 5 Wall Mounting Assy
- 9 Additional Spare Parts

6720900091.AA

Spare parts list



6720900092.AA

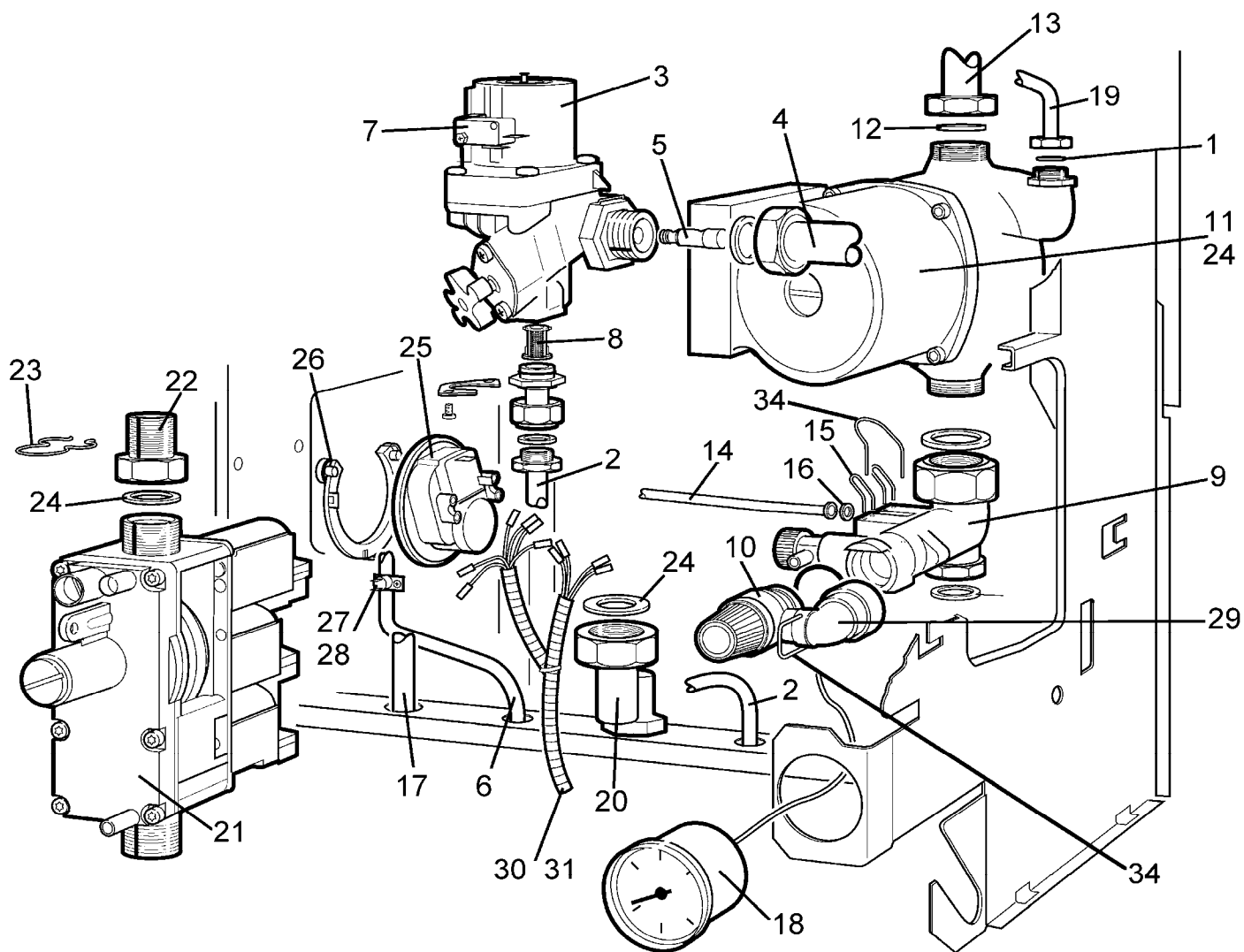
Pump / Hydraulic assy
D

25SI-FSN 25SI-FSP

1

Pos	description	S-Nr	ordering no.	PG	gas type	25SI-FSN	25SI-FSP											remarks
1	Washer 18.6 X 13.5 X 1.5 (10x)		8 710 103 045 0	11	LPG	■												
1	Washer 18.6 X 13.5 X 1.5 (10x)		8 710 103 045 0	11	NG	■												
1	Washer 18.6 x 13.5 x 1.5 (1x)		8 716 115 680 0		LPG	■												
1	Washer 18.6 x 13.5 x 1.5 (1x)		8 716 115 680 0		NG	■												
2	Pipe - flow switch inlet assembly		8 716 121 558 0		LPG	■												
2	Pipe - flow switch inlet assembly		8 716 121 558 0		NG	■												
3	Water valve		8 717 002 110 0	42	LPG	■												
3	Water valve		8 717 002 110 0	42	NG	■												
4	Pipe - flow dhw assembly		8 716 121 549 0		LPG	■												
4	Pipe - flow dhw assembly		8 716 121 549 0		NG	■												
5	Venturi (d)		8 708 205 194 0	15	LPG	■												
5	Venturi (d)		8 708 205 194 0	15	NG	■												
6	Pipe - return dhw assembly		8 716 121 551 0		LPG	■												
6	Pipe - return dhw assembly		8 716 121 551 0		NG	■												
7	Micro switch		8 716 146 157 0		LPG	■												
7	Micro switch		8 716 146 157 0		NG	■												
8	Water filter		8 716 148 410 0		LPG	■												
8	Water filter		8 716 148 410 0		NG	■												
9	Pump inlet manifold assembly		8 716 121 552 0	44	LPG	■												
9	Pump inlet manifold assembly		8 716 121 552 0	44	NG	■												
10	Pressure relief valve		8 716 156 764 0	31	LPG	■												
10	Pressure relief valve		8 716 156 764 0	31	NG	■												
11	Standard 15/60 Pump Head		8 716 113 594 0		LPG	■												
11	Standard 15/60 Pump Head		8 716 113 594 0		NG	■												
11	Pump grundfos		8 716 143 114 0		LPG	■												
11	Pump grundfos		8 716 143 114 0		NG	■												
12	washer 30.5x22.2x1.5		8 716 140 920 0	13	LPG	■												
12	washer 30.5x22.2x1.5		8 716 140 920 0	13	NG	■												
13	Pipe - return assembly		8 716 121 550 0		LPG	■												
13	Pipe - return assembly		8 716 121 550 0		NG	■												
14	Pipe - byPipe - pass assembly		8 716 121 553 0		LPG	■												
14	Pipe - byPipe - pass assembly		8 716 121 553 0		NG	■												
15	Clip - small wire		8 716 148 323 0		LPG	■												
15	Clip - small wire		8 716 148 323 0		NG	■												
16	O-ring 2.4x5.6 I/D EPDM		8 716 140 838 0	12	LPG	■												
16	O-ring 2.4x5.6 I/D EPDM		8 716 140 838 0	12	NG	■												
17	Pipe - primary flow assembly		8 716 121 548 0		LPG	■												
17	Pipe - primary flow assembly		8 716 121 548 0		NG	■												
18	Pressure gauge 4 bar		8 716 142 388 0		LPG	■												
18	Pressure gauge 4 bar		8 716 142 388 0		NG	■												
19	Pipe - expansion vessel assembly		8 716 121 559 0		LPG	■												
19	Pipe - expansion vessel assembly		8 716 121 559 0		NG	■												
20	Gas inlet manifold assembly		8 716 121 560 0		LPG	■												
20	Gas inlet manifold assembly		8 716 121 560 0		NG	■												
21	Gas valve		8 747 003 381 0	53	LPG	■												
21	Gas valve		8 747 003 381 0	53	NG	■												
22	Adaptor burner to gas valve assembly		8 716 121 617 0		LPG	■												
22	Adaptor burner to gas valve assembly		8 716 121 617 0		NG	■												
23	Clip		8 716 760 233 0	11	LPG	■												
23	Clip		8 716 760 233 0	11	NG	■												
24	Washer 1" (10x)		8 710 103 060 0	15	LPG	■												
24	Washer 1" (10x)		8 710 103 060 0	15	NG	■												
25SI-FSN 25SI-FSP			Pump / Hydraulic assy D															1

Spare parts list



6720900092.AA

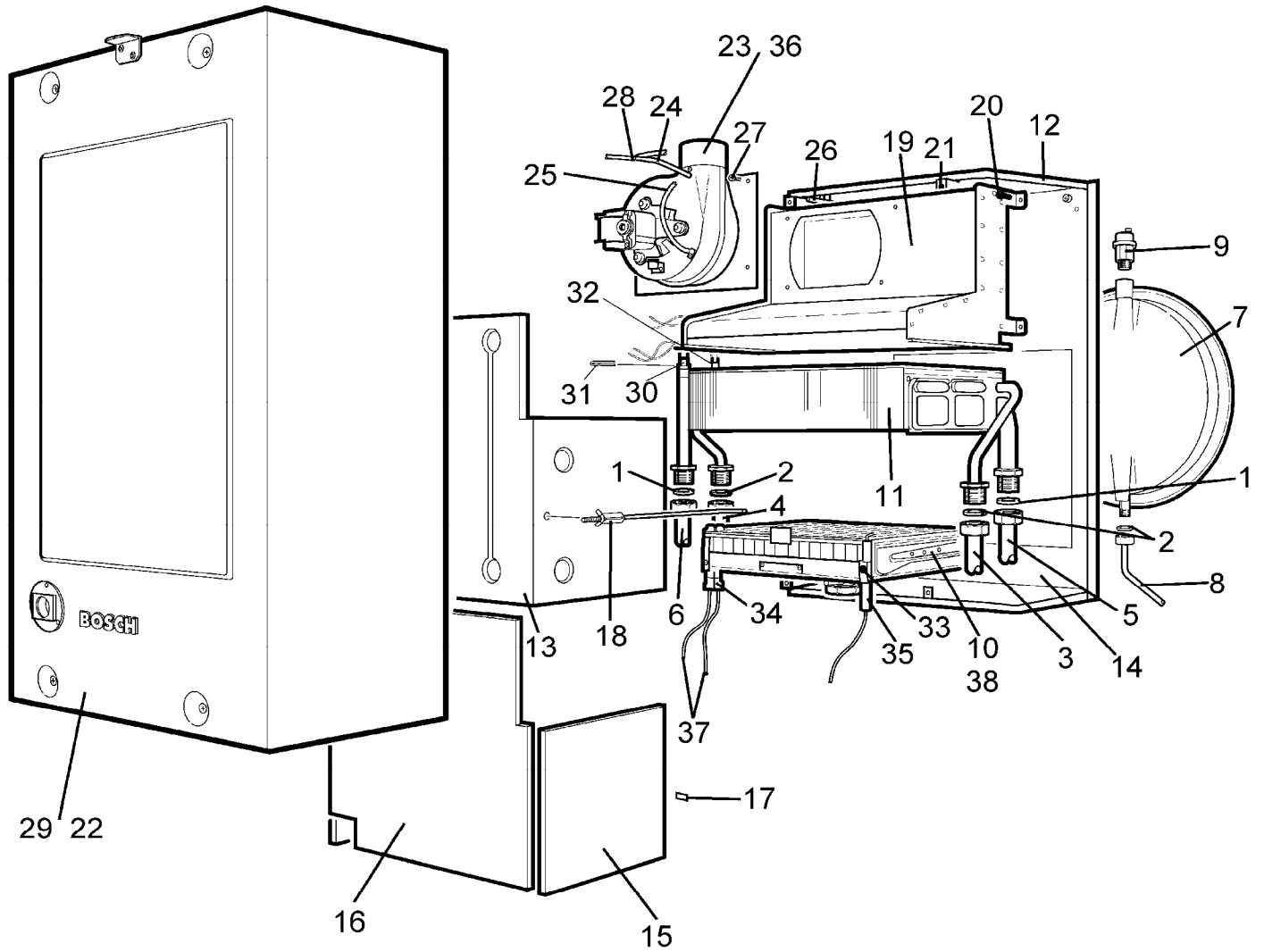
Pump / Hydraulic assy
D

25SI-FSN 25SI-FSP

1

Pos	description	S-Nr	ordering no.	PG	gas type	25SI-FSN	25SI-FSP																											remarks				
24	Washer 1" (1x)		8 716 115 681 0		LPG	■	■																															
24	Washer 1" (1x)		8 716 115 681 0		NG	■																																
25	Pressure differential		8 716 142 387 0	40	LPG	■																																
25	Pressure differential		8 716 142 387 0	40	NG	■																																
26	Air pressure switch bracket		8 716 141 210 0	15	LPG	■																																
26	Air pressure switch bracket		8 716 141 210 0	15	NG	■																																
27	Ntc/thermister dhw		8 716 142 302 0	17	LPG	■																																
27	Ntc/thermister dhw		8 716 142 302 0	17	NG	■																																
28	Clip - domestic h.w. thermistor		8 716 148 313 0		LPG	■																																
28	Clip - domestic h.w. thermistor		8 716 148 313 0		NG	■																																
29	Discharge elbow		8 716 141 213 0	22	LPG	■																																
29	Discharge elbow		8 716 141 213 0	22	NG	■																																
30	Harness - main/fan		8 716 121 590 0		LPG	■																																
30	Harness - main/fan		8 716 121 590 0		NG	■																																
31	Split cable wrap		8 716 141 230 0		LPG	■																																
31	Split cable wrap		8 716 141 230 0		NG	■																																
34	Wireform spring		8 716 148 356 0	12	LPG	■																																
34	Wireform spring		8 716 148 356 0	12	NG	■																																
	Harness pump si/c1		8 716 102 846 0		LPG	■																																
	Harness pump si/c1		8 716 102 846 0		NG	■																																
	Boiler drain tube		8 716 141 219 0		LPG	■																																
	Boiler drain tube		8 716 141 219 0		NG	■																																
25SI-FSN 25SI-FSP			Pump / Hydraulic assy																	D		1																

Spare parts list



6720900093.AA

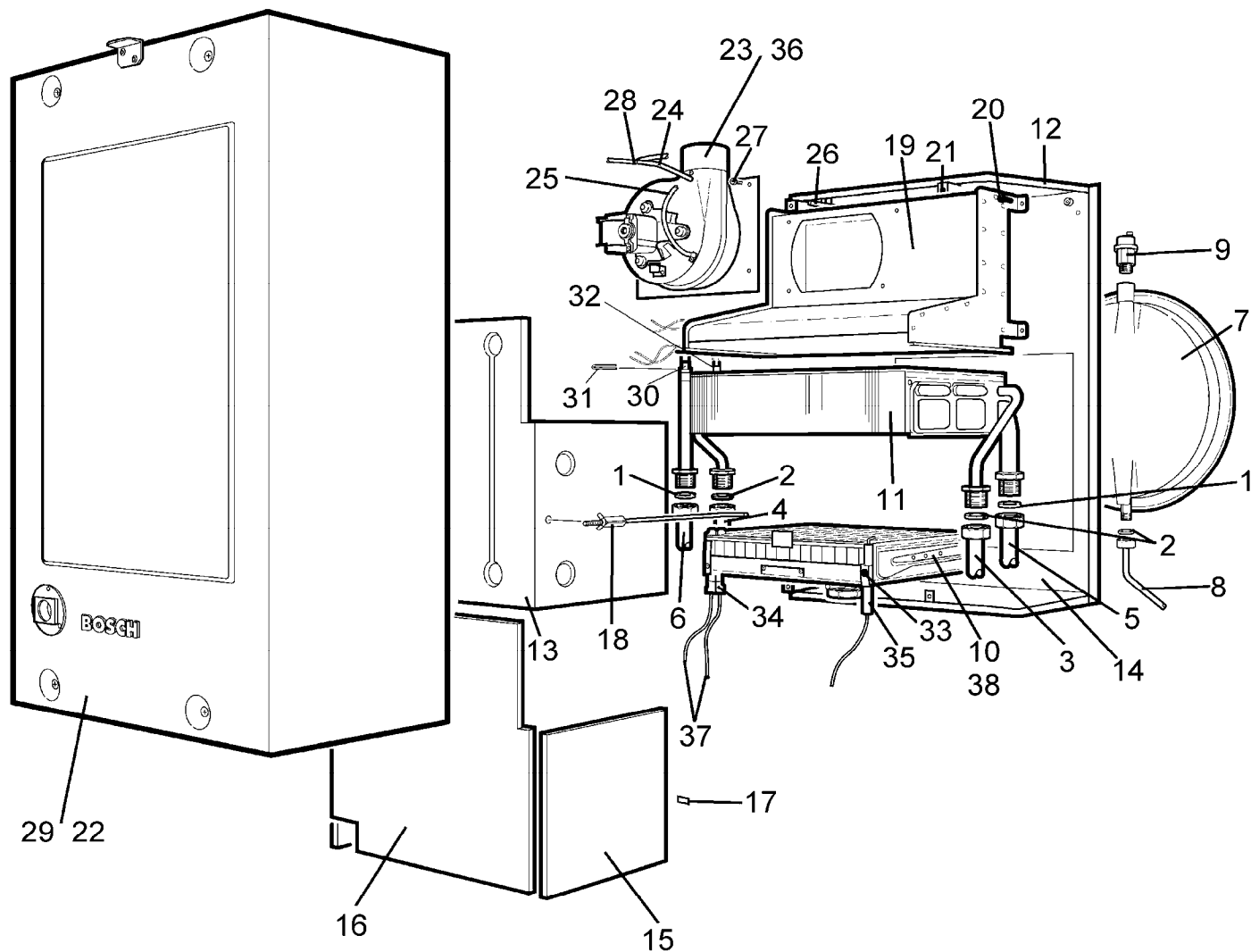
Superstructure
D

25SI-FSN 25SI-FSP

2

Pos	description	S-Nr	ordering no.	PG	gas type	25SI-FSN	25SI-FSP											remarks
1	Fibre washer 23.9 X 17.2 X 1.5 (10x)		8 710 103 043 0	12	LPG	■												
1	Fibre washer 23.9 X 17.2 X 1.5 (10x)		8 710 103 043 0	12	NG	■												
1	Washer 23.9 x 17.2 x 1.5 (X1)		8 716 115 674 0		LPG	■												
1	Washer 23.9 x 17.2 x 1.5 (X1)		8 716 115 674 0		NG	■												
2	Washer 18.6 X 13.5 X 1.5 (10x)		8 710 103 045 0	11	LPG	■												
2	Washer 18.6 X 13.5 X 1.5 (10x)		8 710 103 045 0	11	NG	■												
2	Washer 18.6 x 13.5 x 1.5 (1x)		8 716 115 680 0		LPG	■												
2	Washer 18.6 x 13.5 x 1.5 (1x)		8 716 115 680 0		NG	■												
3	Pipe - flow dhw assembly		8 716 121 549 0		LPG	■												
3	Pipe - flow dhw assembly		8 716 121 549 0		NG	■												
4	Pipe - return dhw assembly		8 716 121 551 0		LPG	■												
4	Pipe - return dhw assembly		8 716 121 551 0		NG	■												
5	Pipe - return assembly		8 716 121 550 0		LPG	■												
5	Pipe - return assembly		8 716 121 550 0		NG	■												
6	Pipe - primary flow assembly		8 716 121 548 0		LPG	■												
6	Pipe - primary flow assembly		8 716 121 548 0		NG	■												
7	Expansion vessel 8L		8 715 407 154 0	42	LPG	■												
7	Expansion vessel 8L		8 715 407 154 0	42	NG	■												
8	Pipe - expansion vessel assembly		8 716 121 559 0		LPG	■												
8	Pipe - expansion vessel assembly		8 716 121 559 0		NG	■												
9	Automatic purger		8 716 140 504 0	26	LPG	■												
9	Automatic purger		8 716 140 504 0	26	NG	■												
10	Burner si ng		8 718 120 565 0	44	NG	■												
10	Burner 25si lpg		8 718 120 569 0		LPG	■												
11	Heat exchanger assembly		8 716 759 081 0		LPG	■												
11	Heat exchanger assembly		8 716 759 081 0		NG	■												
12	Rear combustion chamber assembly		8 716 101 083 0		LPG	■												
12	Rear combustion chamber assembly		8 716 101 083 0		NG	■												
13	Inner combustion chamber front assy		8 716 105 560 0		LPG	■												
13	Inner combustion chamber front assy		8 716 105 560 0		NG	■												
14	Rear insulation		8 716 156 833 0		LPG	■												
14	Rear insulation		8 716 156 833 0		NG	■												
15	Side insulation		8 716 156 834 0		LPG	■												
15	Side insulation		8 716 156 834 0		NG	■												
16	Front insulation		8 716 156 835 0		LPG	■												
16	Front insulation		8 716 156 835 0		NG	■												
17	Clip - insulation retainer		8 716 148 353 0		LPG	■												
17	Clip - insulation retainer		8 716 148 353 0		NG	■												
18	Retaining bolt assembly		8 716 770 013 0		LPG	■												
18	Retaining bolt assembly		8 716 770 013 0		NG	■												
19	Flue hood assembly		8 716 121 544 0		LPG	■												
19	Flue hood assembly		8 716 121 544 0		NG	■												
20	Screw no.8x1/2 f/h type b self tap.		2 912 421 225 0	16	LPG	■												
20	Screw no.8x1/2 f/h type b self tap.		2 912 421 225 0	16	NG	■												
21	M4 captive nut		8 716 708 495 0		LPG	■												
21	M4 captive nut		8 716 708 495 0		NG	■												
22	Inner case front assembly		8 716 121 542 0		LPG	■												
22	Inner case front assembly		8 716 121 542 0		NG	■												
23	Fan assembly		8 716 121 546 0		LPG	■												
23	Fan assembly		8 716 121 546 0		NG	■												
24	beige silicone tubing 5m long		8 716 101 080 0	27	LPG	■												
24	beige silicone tubing 5m long		8 716 101 080 0	27	NG	■												
25SI-FSN 25SI-FSP			Superstructure D															2

Spare parts list



6720900093.AA

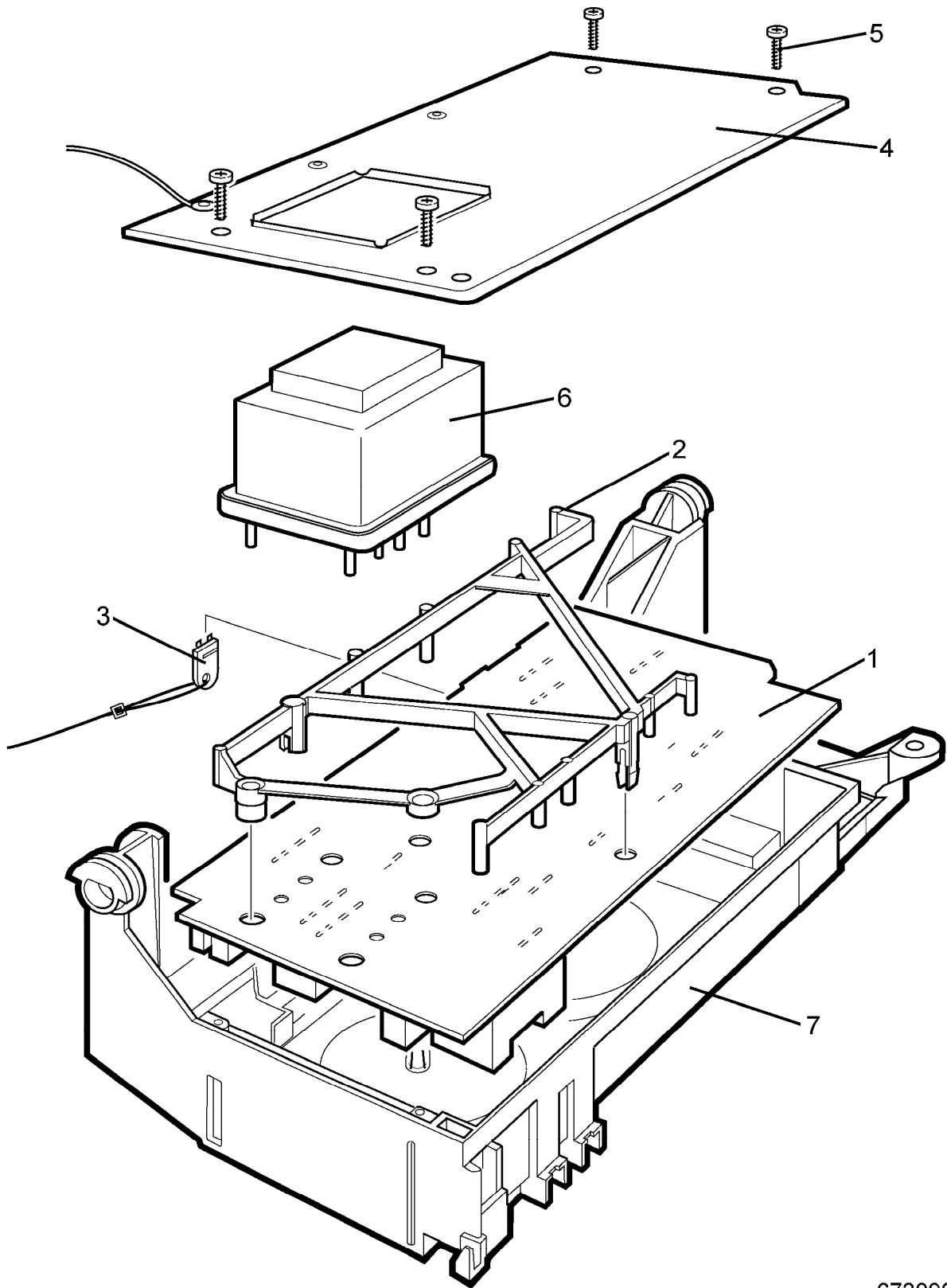
Superstructure
D

25SI-FSN 25SI-FSP

2

Pos	description	S-Nr	ordering no.	PG	gas type	25SI-FSN	25SI-FSP												remarks
25	Red silicone tubing 5m long		8 716 101 081 0	27	LPG	■													
25	Red silicone tubing 5m long		8 716 101 081 0	27	NG	■													
26	Air flow sensor		8 716 141 000 0	18	LPG	■													
26	Air flow sensor		8 716 141 000 0	18	NG	■													
27	Screw iso no 6b x 9.5 recessed		2 912 421 210 0	07	LPG	■													
27	Screw iso no 6b x 9.5 recessed		2 912 421 210 0	07	NG	■													
28	T piece moulding ref 416teep		8 716 141 205 0	16	LPG	■													
28	T piece moulding ref 416teep		8 716 141 205 0	16	NG	■													
29	Innercase seal assembly		8 716 121 602 0		LPG	■													
29	Innercase seal assembly		8 716 121 602 0		NG	■													
30	Ntc/thermister dhw		8 716 142 302 0	17	LPG	■													
30	Ntc/thermister dhw		8 716 142 302 0	17	NG	■													
31	Clip - primary h/w thermistor		8 716 148 352 0		LPG	■													
31	Clip - primary h/w thermistor		8 716 148 352 0		NG	■													
32	Thermostat security 116 DegC		8 716 142 389 0		LPG	■													
32	Thermostat security 116 DegC		8 716 142 389 0		NG	■													
33	Screw m3x6mm zc pl p/h taptite		2 914 411 411 0	18	LPG	■													
33	Screw m3x6mm zc pl p/h taptite		2 914 411 411 0	18	NG	■													
34	Ignition electrode		8 708 107 008 0	31	LPG	■													
34	Ignition electrode		8 708 107 008 0	31	NG	■													
35	Set of electrodes		8 718 107 050 0	28	LPG	■													
35	Set of electrodes		8 718 107 050 0	28	NG	■													
36	Harness - main/fan		8 716 121 590 0		LPG	■													
36	Harness - main/fan		8 716 121 590 0		NG	■													
37	Ignition lead		8 714 401 926 0	26	LPG	■													
37	Ignition lead		8 714 401 926 0	26	NG	■													
38	Nozzle (69) (10x)		8 708 202 131 0	17	LPG	■													
38	Nozzle (112) (10x)		8 708 202 137 0	17	NG	■													
39	Inner case bracket		8 716 101 103 0		LPG	■													
39	Inner case bracket		8 716 101 103 0		NG	■													
	Si/c1 insulation pack		8 716 121 601 0		LPG	■													
	Si/c1 insulation pack		8 716 121 601 0		NG	■													
	Bung-pilot large hole (5 pack)		8 716 140 707 0		LPG	■													
	Bung-pilot large hole (5 pack)		8 716 140 707 0		NG	■													
	Rubber grommet		8 716 140 708 0	21	LPG	■													
	Rubber grommet		8 716 140 708 0	21	NG	■													
	Grommet - Harness ignition		8 716 140 792 0		LPG	■													
	Grommet - Harness ignition		8 716 140 792 0		NG	■													
	Blanking cap red		8 716 141 211 0		LPG	■													
	Blanking cap red		8 716 141 211 0		NG	■													
	Blanking cap - Blue		8 716 141 212 0		LPG	■													
	Blanking cap - Blue		8 716 141 212 0		NG	■													
25SI-FSN 25SI-FSP			Superstructure D															2	

Spare parts list



6720900094.AA

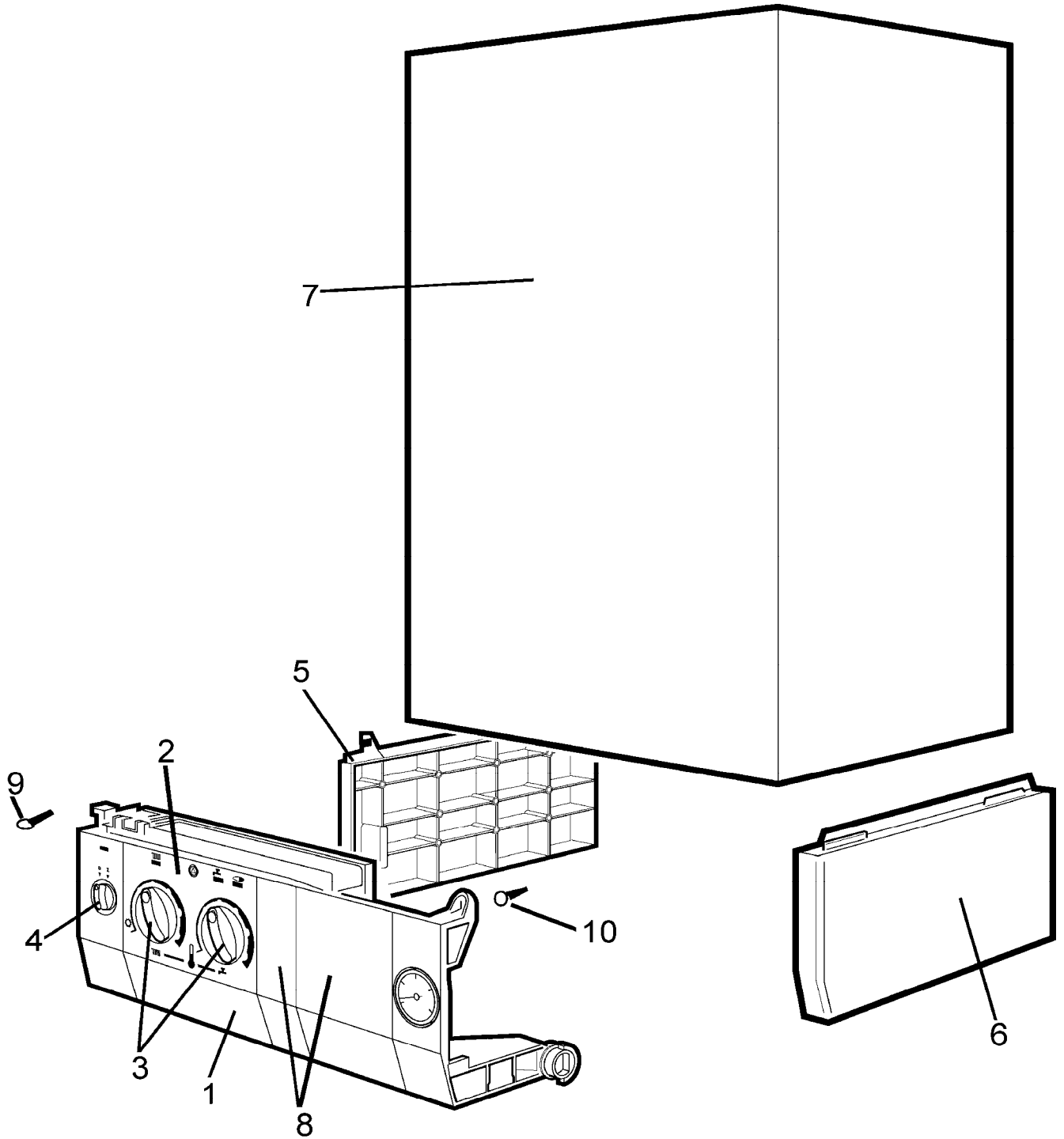
Electrical Box Assembly
D

25SI-FSN 25SI-FSP

3

Pos	description	S-Nr	ordering no.	PG	gas type	25SI-FSN	25SI-FSP													remarks
1	Heatronic pcb board		8 748 300 336 0		LPG	■														
1	Heatronic pcb board		8 748 300 336 0		NG	■														
2	Spacer		8 711 503 197 0	22	LPG	■														
2	Spacer		8 711 503 197 0	22	NG	■														
3	Code plug		8 714 411 155 0	15	LPG	■														
3	Code plug		8 714 411 155 0	15	NG	■														
4	Connection Cover plate		8 711 304 675 0		LPG	■														
4	Connection Cover plate		8 711 304 675 0		NG	■														
5	Screw m3.5x6 phillips steel (10x)		2 910 642 082 0	11	LPG	■														
5	Screw m3.5x6 phillips steel (10x)		2 910 642 082 0	11	NG	■														
6	Transformer - bv066-0188.0		8 747 201 248 0	43	LPG	■														
6	Transformer - bv066-0188.0		8 747 201 248 0	43	NG	■														
7	Facia assembly		8 717 207 436 0		LPG	■														
7	Facia assembly		8 717 207 436 0		NG	■														
	Fuse 2a slow blow 20 x 5mm		8 716 156 000 0		LPG	■														
	Fuse 2a slow blow 20 x 5mm		8 716 156 000 0		NG	■														
	28/25si fuse kit		8 716 156 013 0		LPG	■														
	28/25si fuse kit		8 716 156 013 0		NG	■														
	Fuse 1.6a 20 x 5 mm		8 716 156 017 0		LPG	■														
	Fuse 1.6a 20 x 5 mm		8 716 156 017 0		NG	■														
25SI-FSN 25SI-FSP			Electrical Box Assembly D																3	

Spare parts list



6720900095.AA

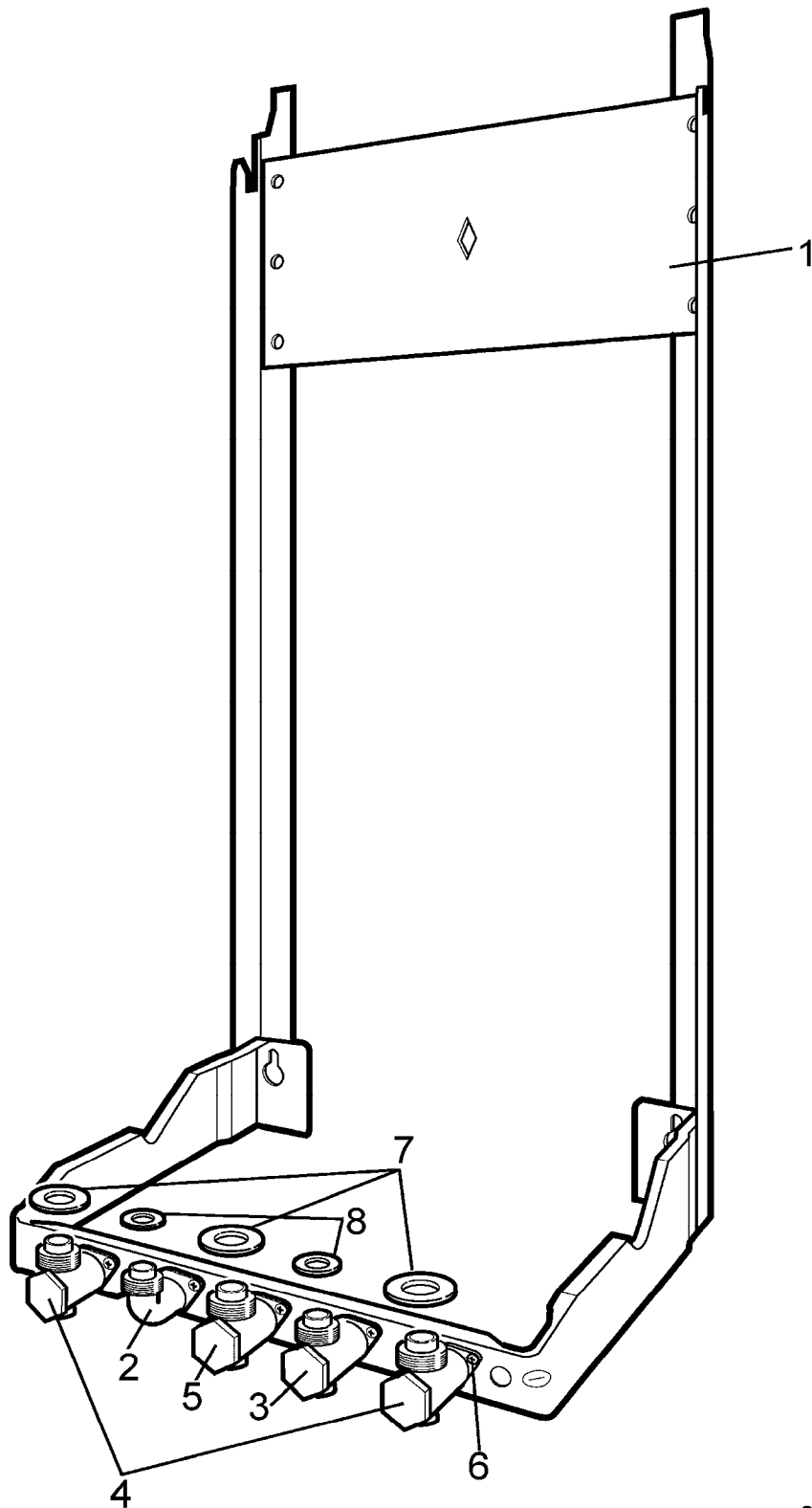
Casing
D

4

25SI-FSN 25SI-FSP

Pos	description	S-Nr	ordering no.	PG	gas type	25SI-FSN	25SI-FSP														remarks
1	Clip - facia 25si		8 716 141 216 0		LPG		■														
1	Clip - facia 25si		8 716 141 216 0		NG	■															
2	Facia assembly		8 717 207 436 0		LPG		■														
2	Facia assembly		8 717 207 436 0		NG	■															
3	Temperature control knob		8 712 000 083 0		LPG		■														
3	Temperature control knob		8 712 000 083 0		NG	■															
4	On/off knob		8 712 000 082 0		LPG		■														
4	On/off knob		8 712 000 082 0		NG	■															
5	Facia infill l.h.		8 716 141 203 0		LPG		■														
5	Facia infill l.h.		8 716 141 203 0		NG	■															
6	Facia infill r.h.		8 716 141 204 0		LPG		■														
6	Facia infill r.h.		8 716 141 204 0		NG	■															
7	Front cover (mantel assembly)		8 716 121 575 0		LPG		■														
7	Front cover (mantel assembly)		8 716 121 575 0		NG	■															
8	Shield		8 711 000 238 0	14	LPG		■														
8	Shield		8 711 000 238 0	14	NG	■															
9	M5x28 lg pozi pan head Screw		8 713 401 089 0		LPG		■														
9	M5x28 lg pozi pan head Screw		8 713 401 089 0		NG	■															
10	M5x12 lg pozi pan head Screw		8 713 401 088 0		LPG		■														
10	M5x12 lg pozi pan head Screw		8 713 401 088 0		NG	■															
25SI-FSN 25SI-FSP				Casing D																	

Spare parts list



6720900096.AA

Wall Mounting assy
D

25SI-FSN 25SI-FSP

5

Pos	description	S-Nr	ordering no.	PG	gas type	25SI-FSN	25SI-FSP														remarks
1	Wall mounting frame		8 716 121 556 0	44	LPG	■															
1	Wall mounting frame		8 716 121 556 0	44	NG	■															
2	Connector dhw-out (uk)		8 716 156 384 0	20	LPG	■															
2	Connector dhw-out (uk)		8 716 156 384 0	20	NG	■															
3	VALVE - DCW IN (UK)		8 716 156 752 0		LPG	■															
3	VALVE - DCW IN (UK)		8 716 156 752 0		NG	■															
4	Valve - C.H. (uk)		8 716 156 755 0	26	LPG	■															
4	Valve - C.H. (uk)		8 716 156 755 0	26	NG	■															
5	Gas cock (uk)		8 716 156 753 0		LPG	■															
5	Gas cock (uk)		8 716 156 753 0		NG	■															
6	Screw m5x10mm zc pl p/h taptite Scr		2 914 411 420 0	02	LPG	■															
6	Screw m5x10mm zc pl p/h taptite Scr		2 914 411 420 0	02	NG	■															
7	Fibre washer 23.9 X 17.2 X 1.5 (10x)		8 710 103 043 0	12	LPG	■															
7	Fibre washer 23.9 X 17.2 X 1.5 (10x)		8 710 103 043 0	12	NG	■															
7	Washer 23.9 x 17.2 x 1.5 (X1)		8 716 115 674 0		LPG	■															
7	Washer 23.9 x 17.2 x 1.5 (X1)		8 716 115 674 0		NG	■															
8	Washer 18.6 X 13.5 X 1.5 (10x)		8 710 103 045 0	11	LPG	■															
8	Washer 18.6 X 13.5 X 1.5 (10x)		8 710 103 045 0	11	NG	■															
8	Washer 18.6 x 13.5 x 1.5 (1x)		8 716 115 680 0		LPG	■															
8	Washer 18.6 x 13.5 x 1.5 (1x)		8 716 115 680 0		NG	■															
25SI-FSN 25SI-FSP			Wall Mounting assy D																	5	

**ADDITIONAL SPARE PARTS
FOR APPLIANCE
NOT DRAWN**

9099

6720900999.AA

Additional Spare Part
D

25SI-FSN 25SI-FSP

9

List of translations

Pos				
1				
2				
3				
4				
5				
6				
7				
8				
9				
10				
11				
12				
13				
14				
15				
16				
17				
18				
19				
20				
21				
22				
23				
24				
25				
26				
27				
28				
29				
30				
31				
34				
2				
1				
2				
3				
4				
5				
6				
7				
8				
9				
10				
11				
12				
13				
14				
15				
16				
17				
18				
19				
20				
21				
Pos				
22				

List of translations

23				
24				
25				
26				
27				
28				
29				
30				
31				
32				
33				
34				
35				
36				
37				
38				
39				
3				
1				
2				
3				
4				
5				
6				
7				
4				
1				
2				
3				
4				
5				
6				
7				
8				
9				
10				
5				
1				
2				
3				
4				
5				
6				
7				
8				
9				
Pos				

