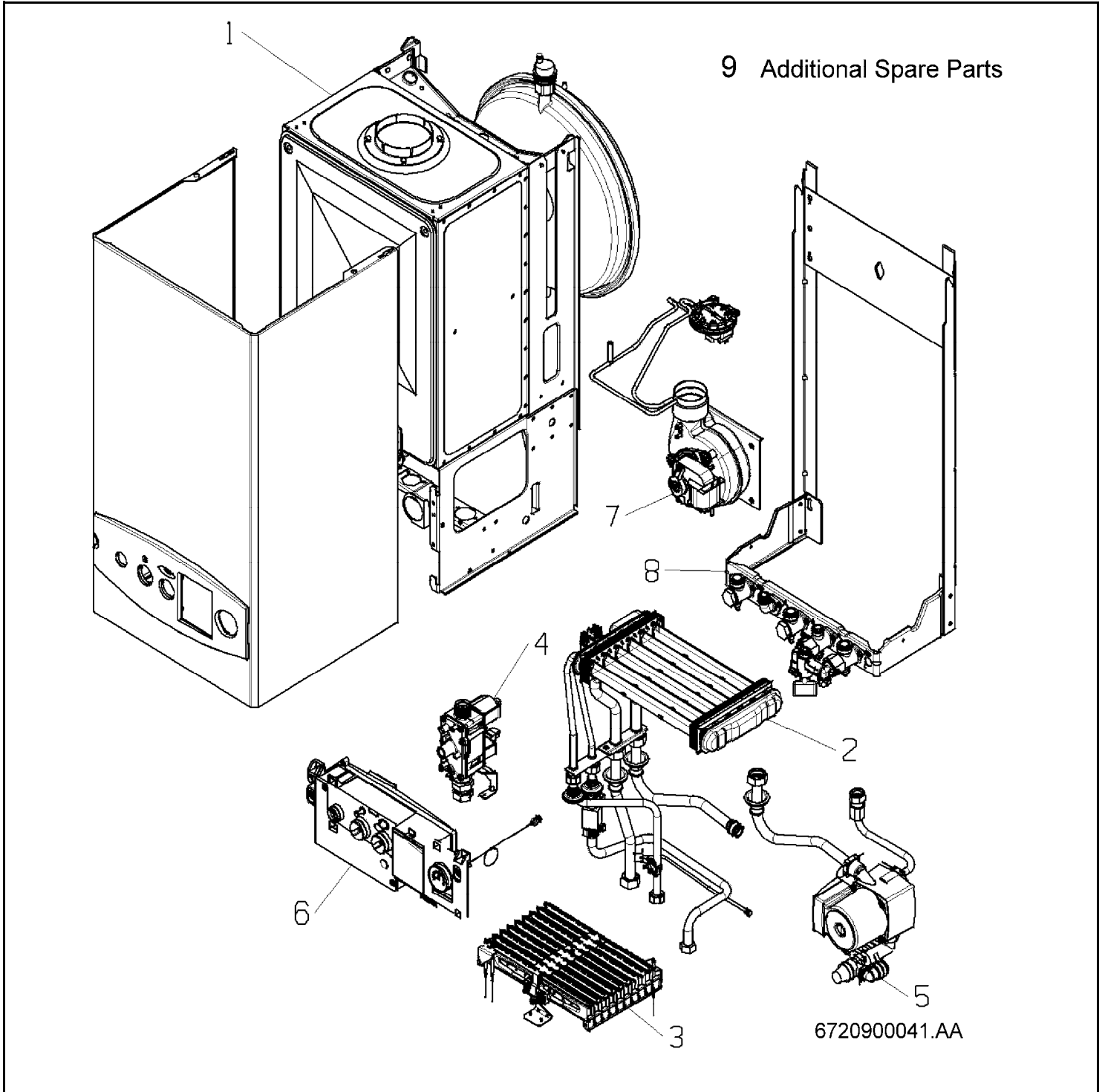


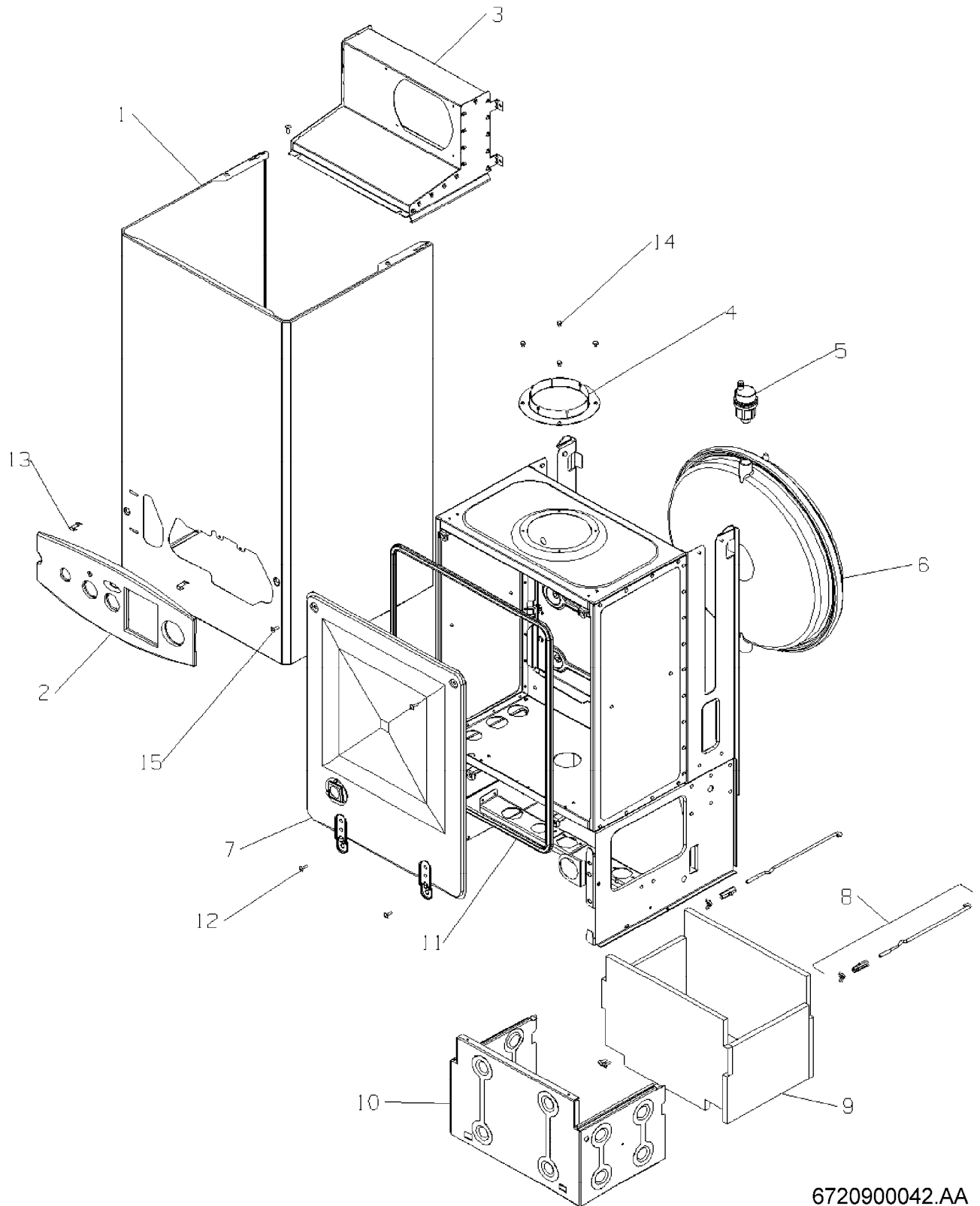
# 24SI II RSF







# Spare parts list



6720900042.AA

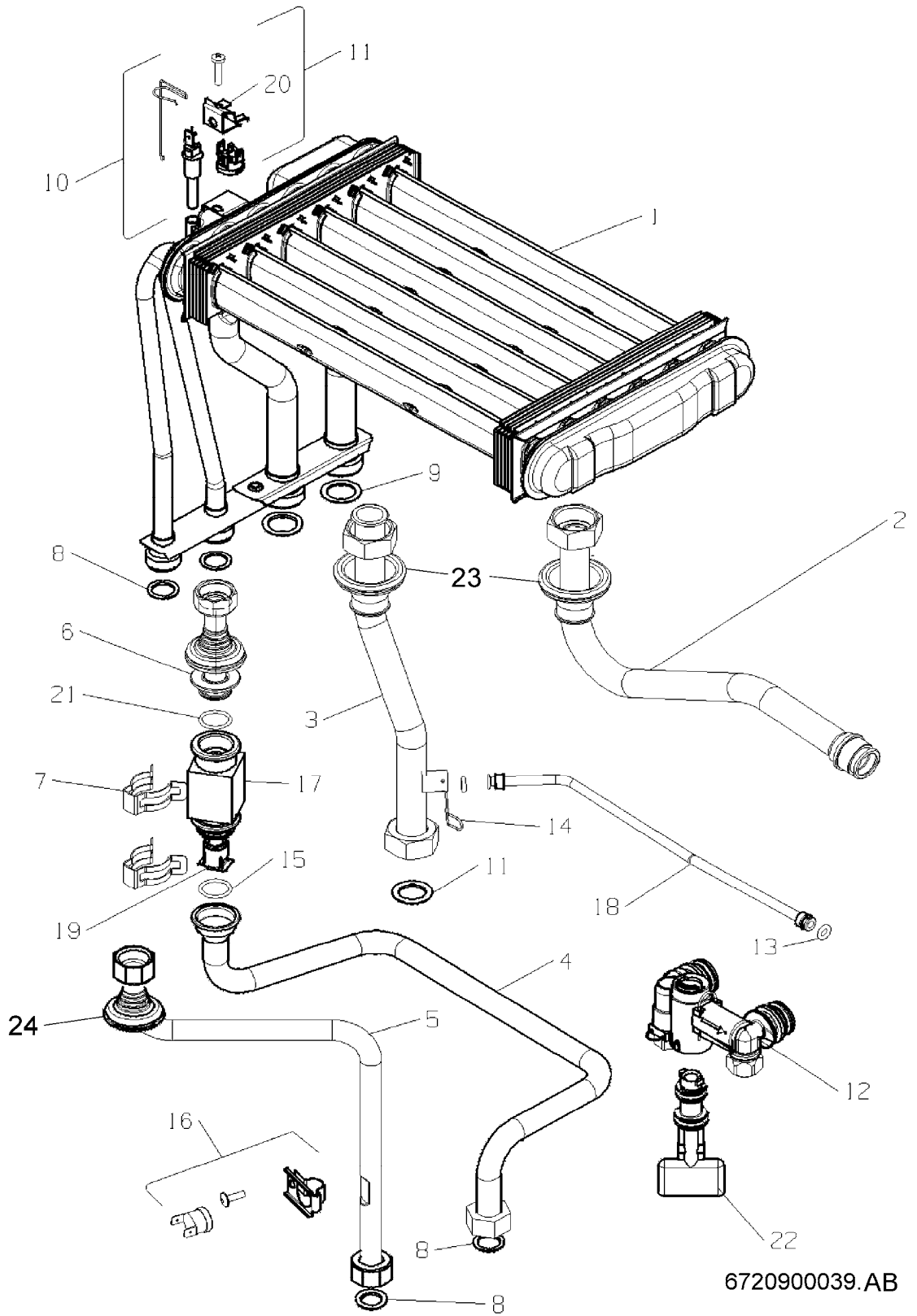
Superstructure / Case  
D

24SI II-FSN

1



# Spare parts list



6720900039.AB

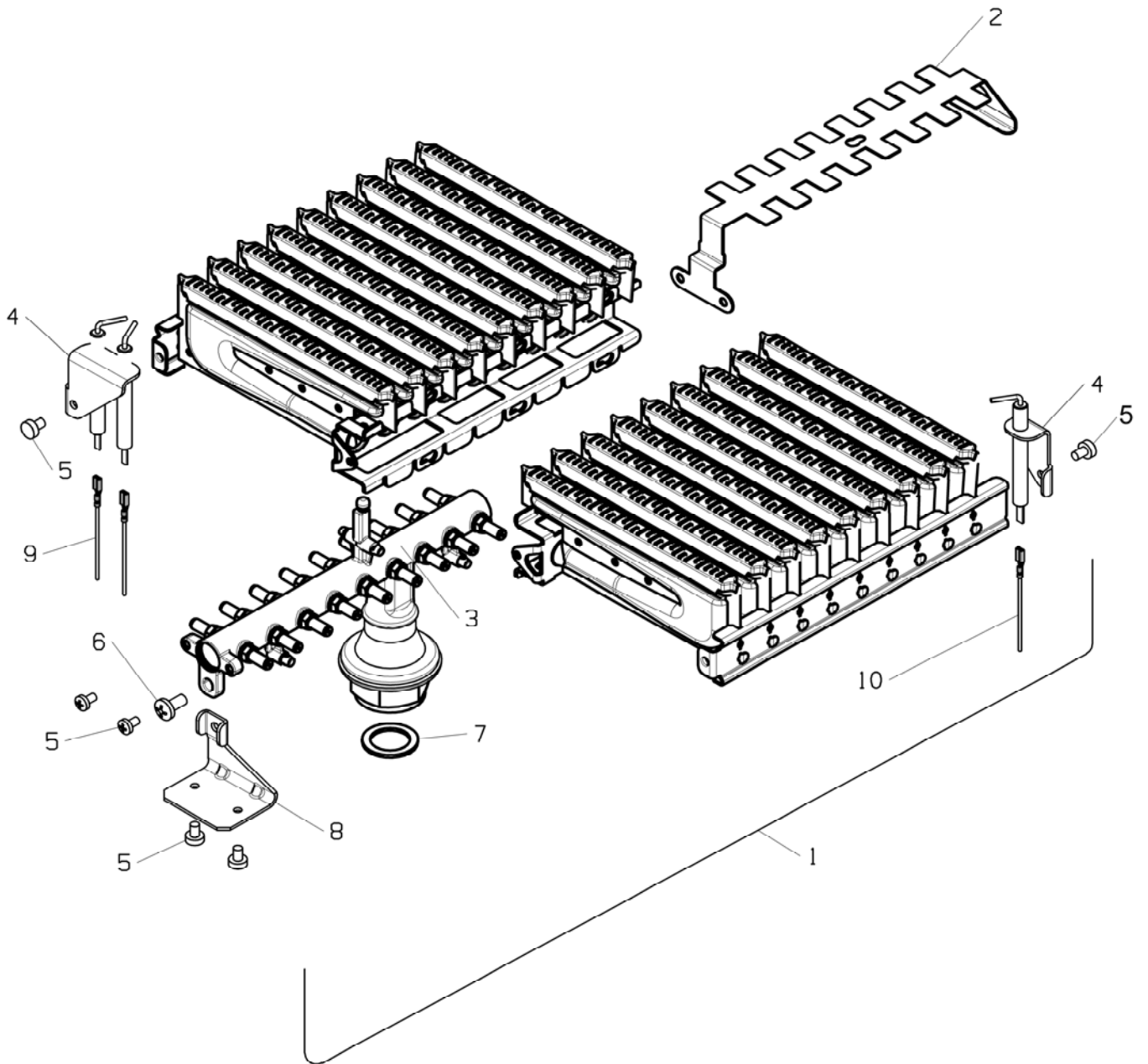
Heat exchanger/ Pipes  
D

24SI II-FSN

2



# Spare parts list



6720900194.AA

Burner Assembly  
D

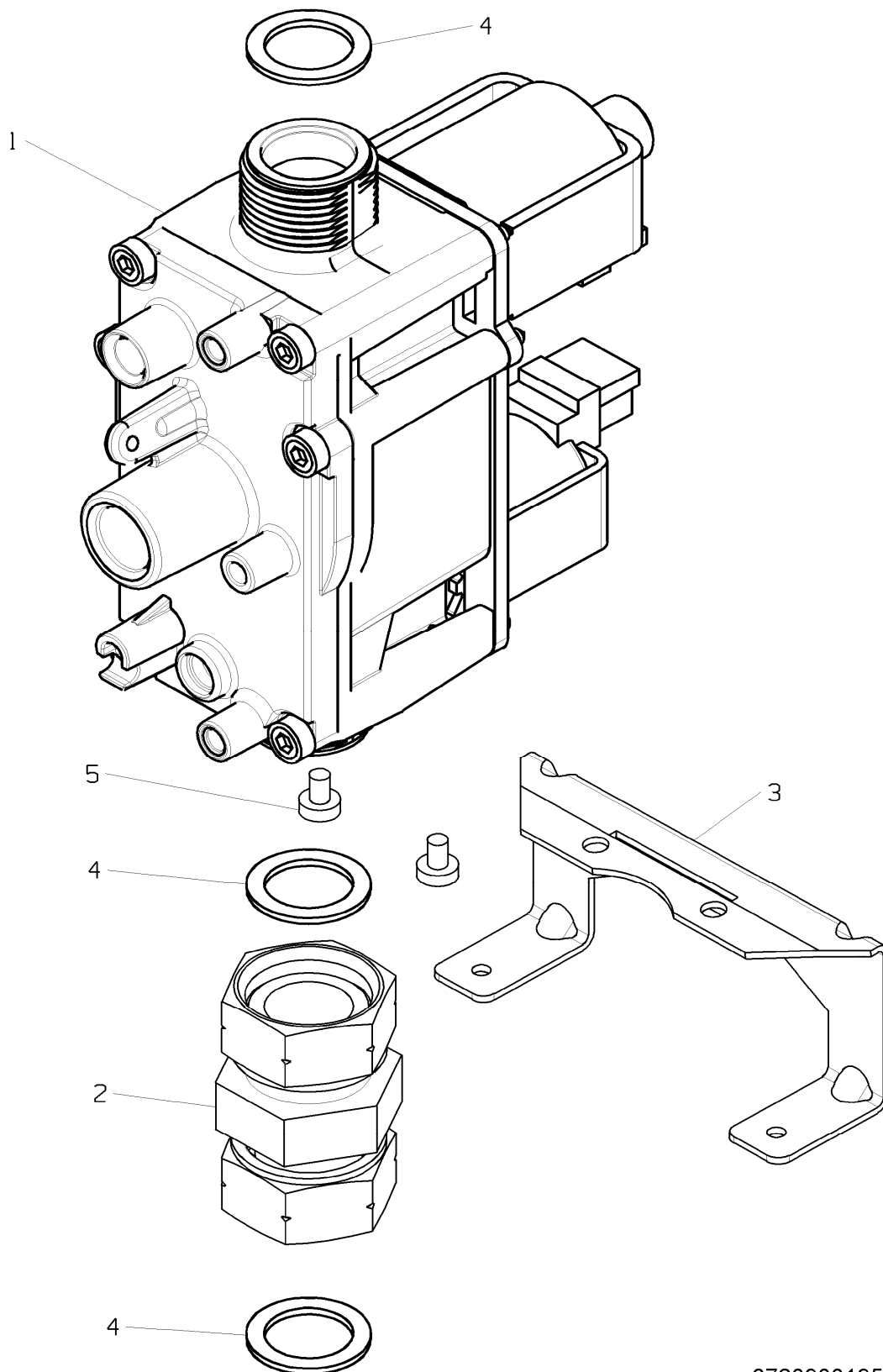
24SI II-FSN

3



Pos	description	S-Nr	ordering no.	PG	gas type	24SI II-FSN															remarks
1	Burner ng 24kw rsf		8 716 101 900 0	44	NG	■															
1	Burner 24kw lpg rsf		8 716 102 396 0	44	NG	■															
2	Cross ignition bridge		8 711 304 692 0	17	NG	■															
3	Burner manifold ng rsf		8 716 102 131 0	36	NG	■															
3	Burner manifold lpg rsf		8 716 102 134 0	36	NG	■															
4	Electrode set (flame & ignition)		8 716 101 901 0	29	NG	■															
5	Screw m4x6 taptite zc pl p/h		2 914 411 424 0	12	NG	■															
6	Screw M5x12mm taptite zc pl p/h		2 914 411 403 0	12	NG	■															
7	Fibre washer 23.9 X 17.2 X 1.5 (10x)		8 710 103 043 0	12	NG	■															
7	Washer 23.9 x 17.2 x 1.5 (X1)		8 716 115 674 0		NG	■															
8	Burner support		8 716 101 801 0	16	NG	■															BEFORE FD483
8	Fixing bracket		8 716 106 188 0	15	NG	■															AFTER FD483
9	Ignition lead		8 716 146 676 0	26	NG	■															BEFORE FD483
9	Ignition wire		8 719 905 147 0		NG	■															AFTER FD483
10	End flame sense harness		8 716 102 438 0	22	NG	■															BEFORE FD483
10	Cable		8 719 905 148 0	17	NG	■															AFTER FD483
	Gas Conversion kit ng to lpg 24si II		7 716 192 262 0		NG	■															Before RD387
	Gas conversion kit lpg to ng 24si II		7 716 192 263 0	36	NG	■															Before RD387
	Conversion kit ng to lpg 24si ii		7 716 192 288		NG	■															AFTER FD387
	Gas conversion kit lpg to ng 24si II		8 716 105 803 0		NG	■															AFTER FD387
<b>24SI II-FSN</b>		<b>Burner Assembly D</b>																			<b>3</b>

Spare parts list



6720900195.AA

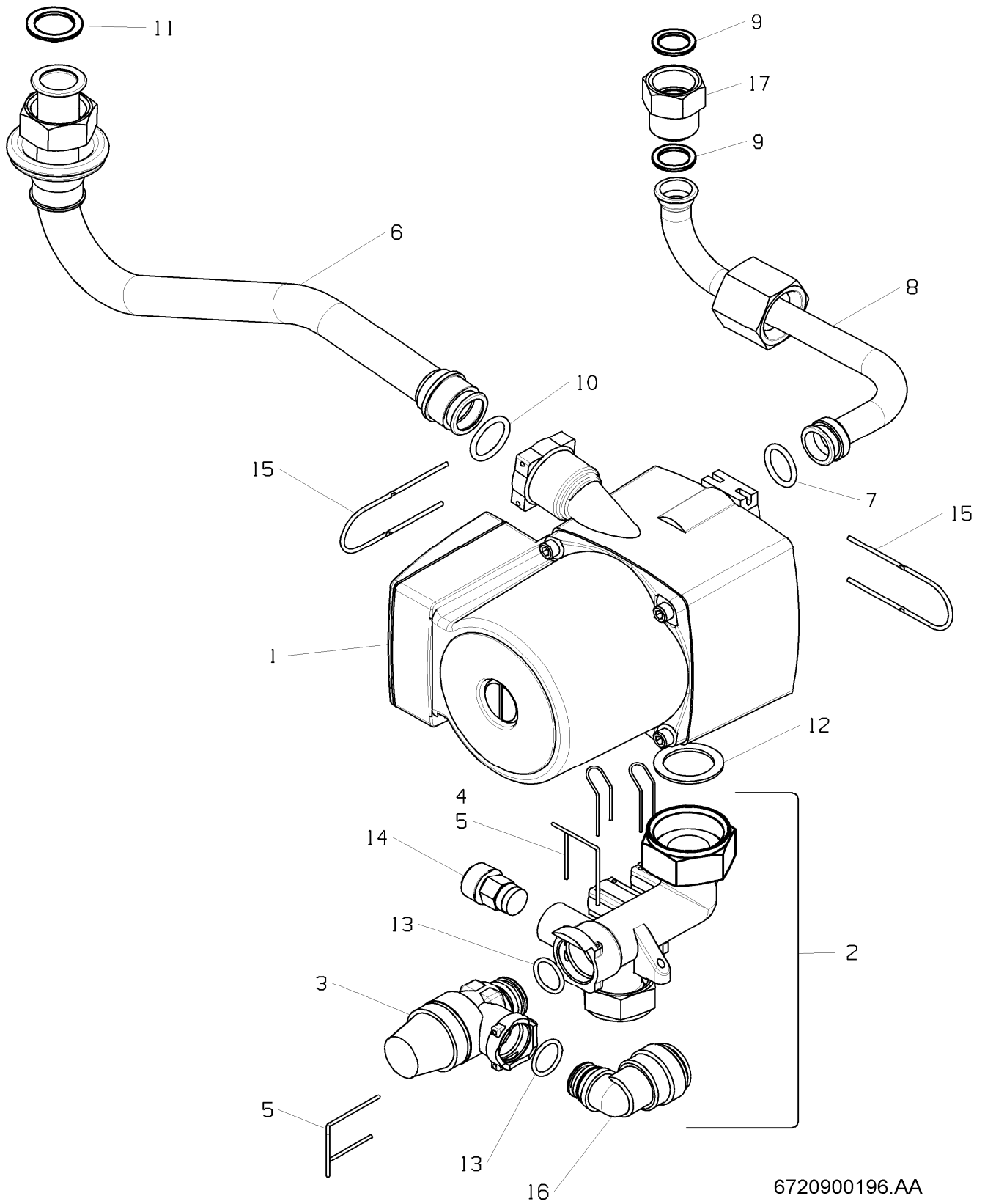
Gas valve  
D

24SI II-FSN

4



Spare parts list



6720900196.AA

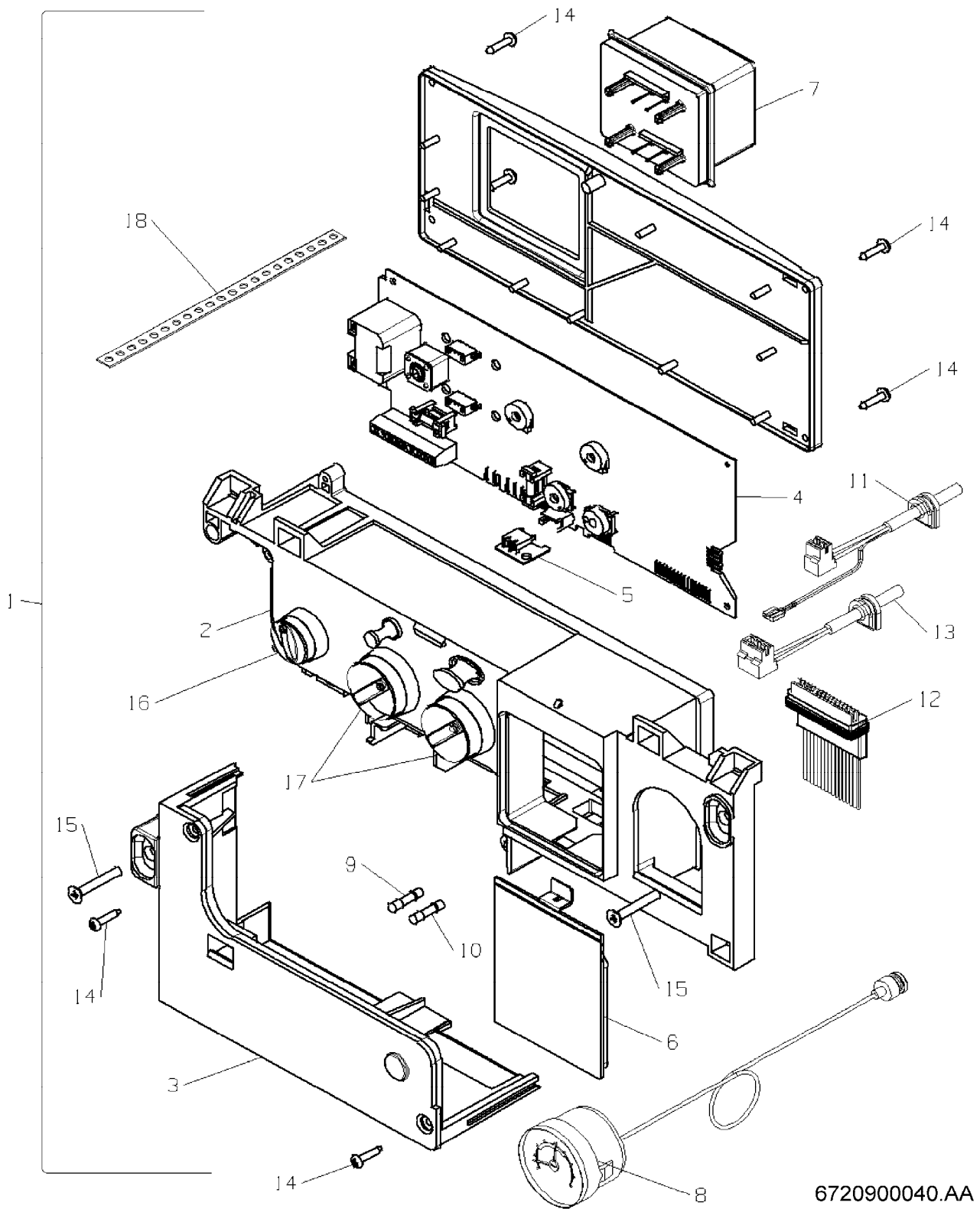
Pump / Hydraulic assy  
D

24SI II-FSN

5



# Spare parts list



6720900040.AA

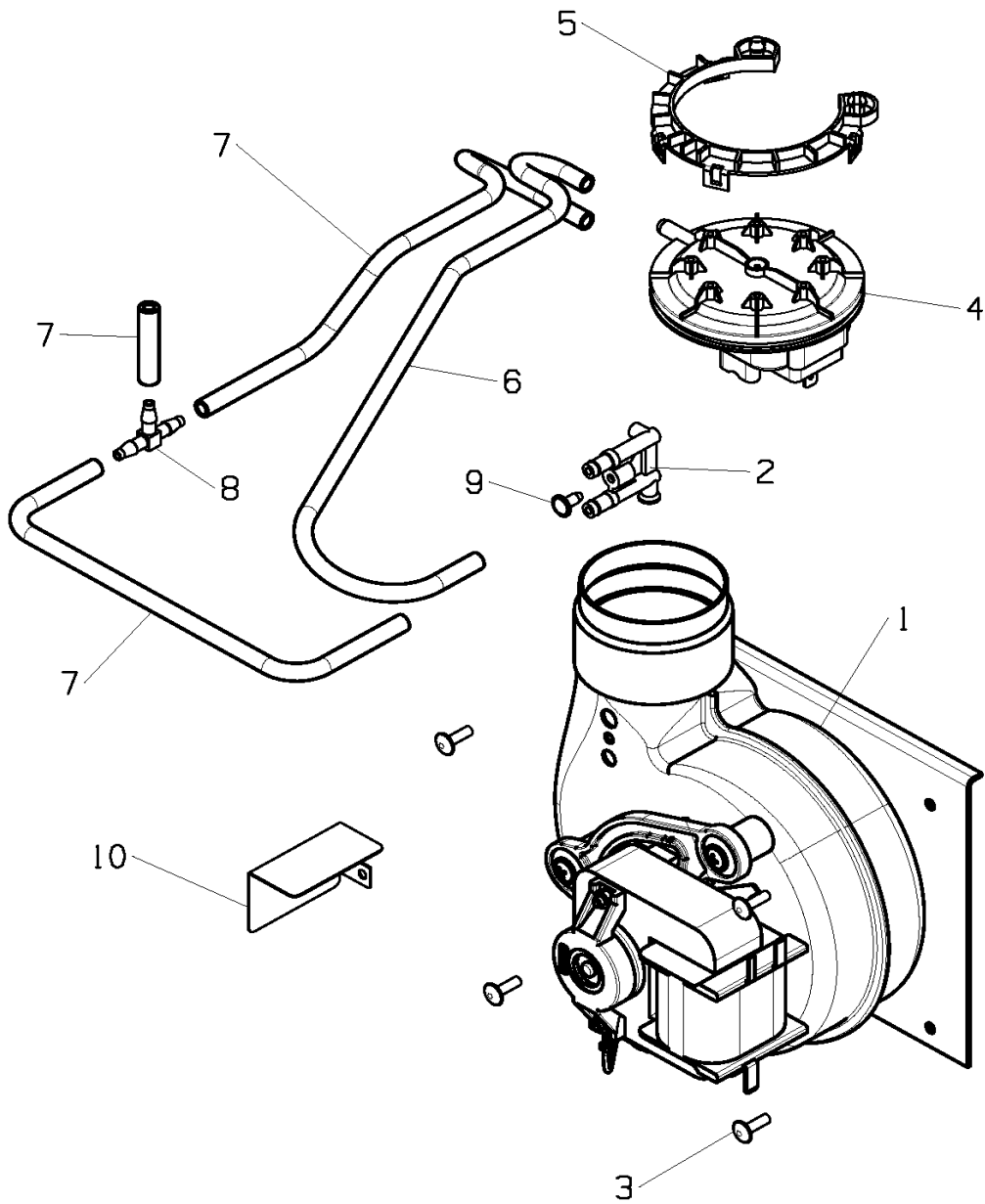
Electrical Box Assembly  
D

24SI II-FSN

6



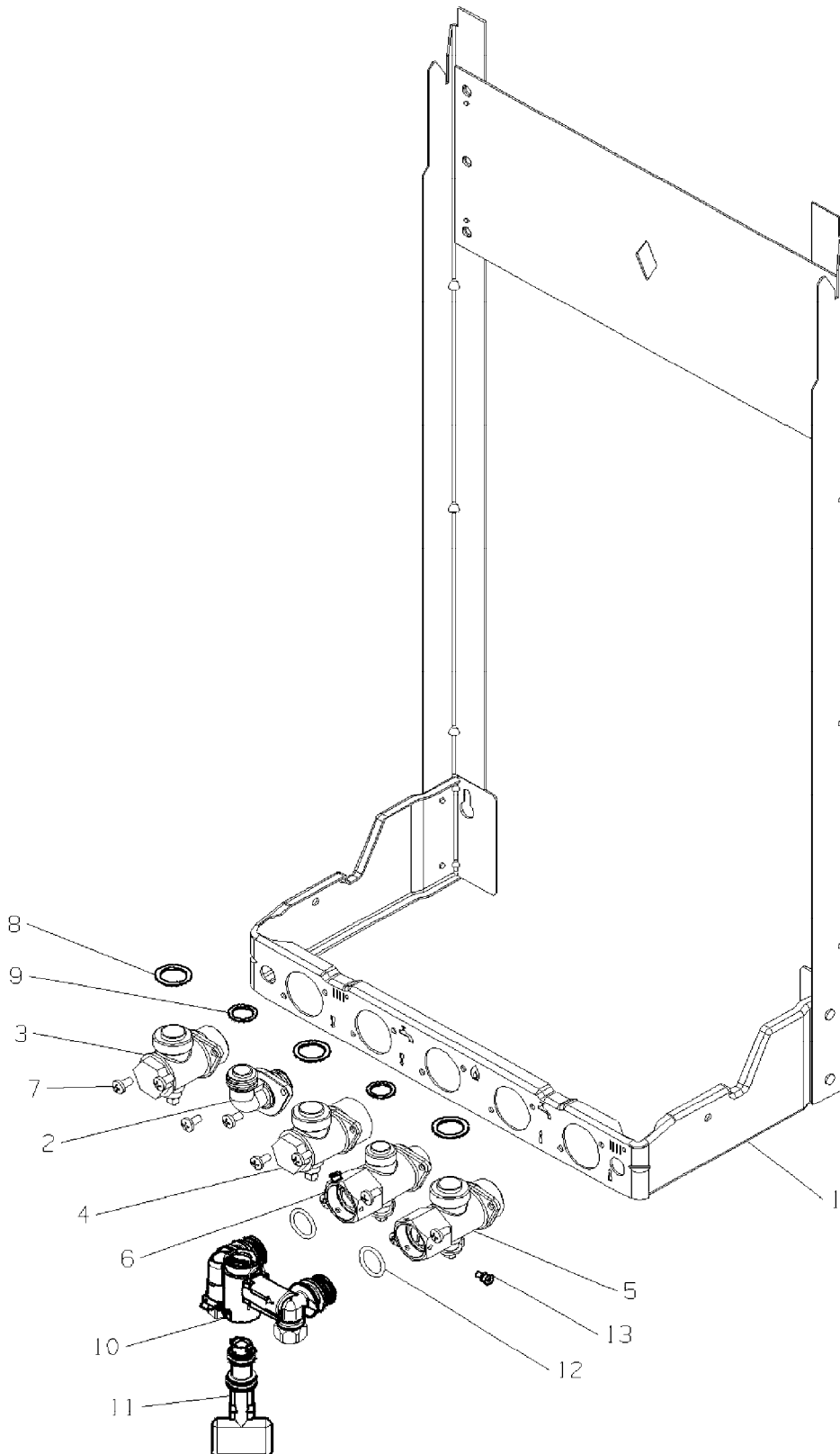
# Spare parts list







Spare parts list



6720900043.AA

Wall Mounting assy  
D

24SI II-FSN

8



**ADDITIONAL SPARE PARTS  
FOR APPLIANCE  
NOT DRAWN**

9099

6720900999.AA

Additional Spare Part  
D

24SI II-FSN

**9**



**List of translations**

Pos			
1			
2			
3			
4			
5			
6			
7			
8			
9			
10			
11			
12			
13			
14			
15			
<b>2</b>			
1			
2			
3			
4			
5			
6			
7			
8			
9			
10			
11			
12			
13			
14			
15			
16			
17			
18			
19			
20			
21			
22			
23			
24			
<b>3</b>			
1			
2			
3			
4			
5			
6			
7			
8			
9			
10			
Pos			
<b>4</b>			
1			
2			

**List of translations**

3				
4				
5				
1				
2				
3				
4				
5				
6				
7				
8				
9				
10				
11				
12				
13				
14				
15				
16				
17				
<b>6</b>				
1				
2				
3				
4				
5				
6				
7				
8				
9				
10				
11				
12				
13				
14				
15				
16				
17				
18				
<b>7</b>				
1				
2				
3				
4				
5				
6				
7				
8				
9				
10				
<b>8</b>				
1				
2				
3				
4				
5				















