

Glow worm

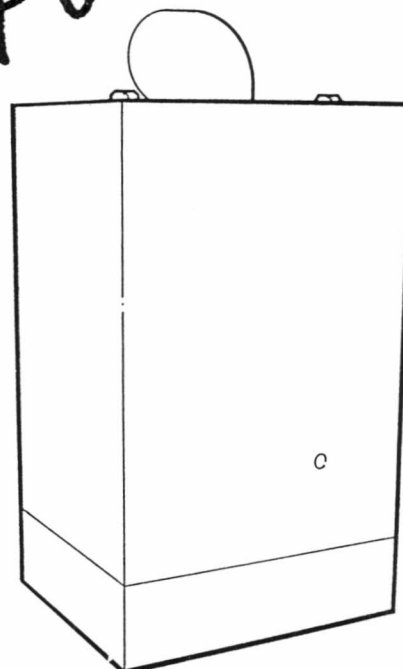
Instructions for Use

Keep for future reference

Economy Plus

3558

'F' RANGE



Fanned Flue Boiler

Introduction

These instructions should be read and carefully followed for the safe and economical use of your boiler.

The Economy Plus range are boilers designed to provide central heating and indirect domestic hot water from a fully pumped system with a fully indirect cylinder.

Important Notice

This boiler is for use on natural gas only and cannot be used on any other gas.

Gas Safety (Installation and Use) Regulations.

In your interest and that of gas safety it is the Law that ALL gas appliances are installed by a competent person in accordance with the current issue of the above regulations.

Gas Leak or Fault

If a gas leak or fault exists or is suspected, the BOILER MUST BE TURNED OFF, including the electrical supply and MUST NOT BE USED UNTIL THE FAULT HAS BEEN PUT RIGHT.

Advice/help should be obtained from your installation/servicing company or the local gas undertaking.

Maintenance/Servicing

To ensure the continued efficient and safe operation of the boiler it is recommended that it is checked and serviced as necessary at regular intervals.

The frequency of servicing will depend upon the particular installation conditions and usage, but in general once a year, preferably at the end of the heating season, should be enough.

It is the Law that any servicing must be carried out by a competent person.

Hepworth Heating Ltd., Nottingham Road, Belper, Derby. DE5 1JT Tel: Belper (0773) 824141 Telex 37586

Technical Services Department : Telephone : Belper (0773) 828100

3957

Boiler Clearances

If fixtures are positioned close to the boiler space must be left as shown in diagram 1. Enough space must also be left in front of the boiler to allow for servicing.

Boilers Installed in a Compartment or Cupboard

If the boiler is installed in a cupboard or compartment do not obstruct any ventilation openings.

Do not use the cupboard or compartment for storage.

Regularly make sure that the air vent openings are clear of obstructions.

Cleaning

Caution. This appliance contains metal parts (components) and care should be taken when handling and cleaning, with particular regard to edges.

Clean the casing occasionally by wiping it over with a damp soapy cloth or dry polishing duster.

Do not use an abrasive cleaner.

Boiler Electrical Supply

WARNING. The boiler must be earthed.

The boiler must only be connected to a 240V~50Hz supply, protected by a 3A fuse.

All wiring must be in accordance with the current issue of the I.E.E. Wiring Regulations.

The colours of three core flexible cable are:

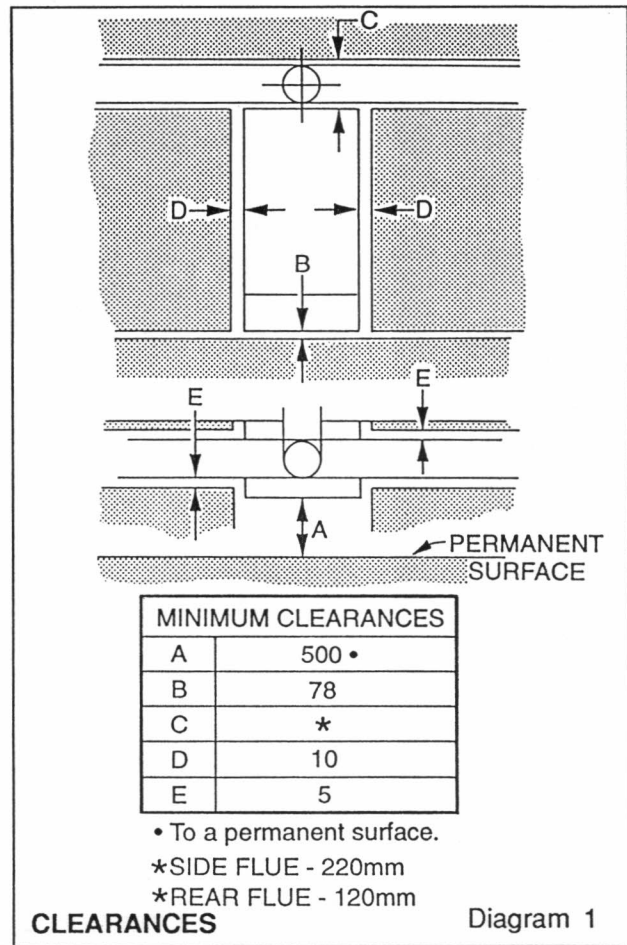
Brown - live, blue - neutral, green/yellow - earth.

As the markings on your plug may not correspond with these colours, proceed as follows,

The wire coloured blue must be connected to the terminal marked "N" or "Black".

The wire coloured brown must be connected to the terminal marked "L" or "Red".

The wire coloured green/yellow must be connected to the plug terminal marked "E" or "Green" or the earth symbol \perp .



Electrical Supply Failure

Failure of the electrical supply will cause the burner to go out. Should this happen, operation of the appliance will normally resume after the electrical supply is restored.

If the burner does not relight after an electrical supply failure the overheat device may need resetting, refer to diagram 2, remove the controls tray and press the reset button.

If the cutoff occurs again, turn the appliance off and contact your installation/servicing company.

To Turn the Boiler On

Sealed Water Systems.

Warning.

A sealed water system must be filled and pressurised by a competent person.

Only light the boiler when you are sure that the system and boiler have been filled and pressurised.

The pressure gauge should show at least 0.7bar, anything less than this figure could indicate a leak and you **MUST** contact your installation/servicing company.

If there is any doubt about the boiler being full of water consult your installation/servicing company.

All Systems

Turn the electrical supply on to the boiler and check that any remote controls are set to your requirements (refer to manufacturer's instructions for these items).

Remove the controls tray by withdrawing it forward.

Turn the boiler thermostat knob clockwise to any position between "MIN" and "MAX", see diagram 2.

The maximum setting is about 82°C (180°F).

The boiler lighting operation is now automatic as follows:

The fan operates, followed by an ignition spark until the pilot is lit. When the pilot is alight the ignition switches off and the main burner lights.

The flames can be seen through the viewing window.

The main burner will remain alight until switched off by the boiler thermostat or other remote control.

If the boiler thermostat is turned Off, by hand, wait at least 30 seconds before turning on again.

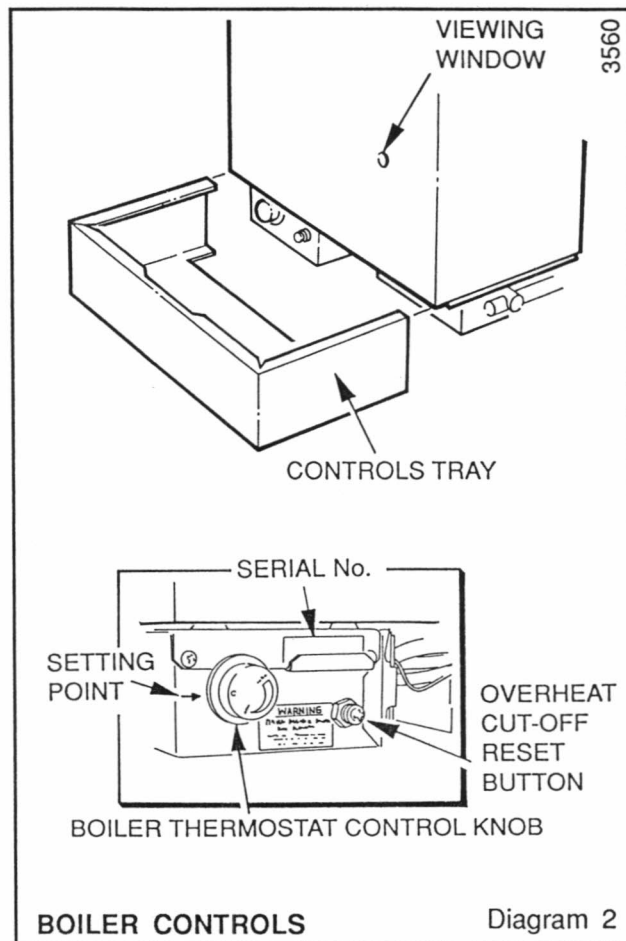
When the boiler goes off, both the pilot and main burner go out

The automatic lighting sequence will operate again when heat is required.

Refit the controls tray.

To Turn the Boiler Off

For short periods, turn thermostat control knob anti-clockwise until "O" is against the setting point. To relight the main burner, turn the thermostat knob clockwise to any setting between "MIN" and "MAX".



BOILER CONTROLS

Diagram 2

For longer periods, turn the thermostat control knob anti-clockwise until "O" is against the setting point.

Switch off the electrical supply to the boiler. To relight follow the sequence given above.

Protection Against Freezing

If the boiler is to be out of use for any long period of time during severe weather conditions we recommend that the whole of the system, including the boiler, be drained off to avoid the risk of freezing up. Make sure that, if fitted, the immersion heater in the cylinder is switched off.

If you have a sealed water system contact your installation/servicing company as draining, refilling and pressurising must be carried out by a competent person.

Serial Number

The model name and serial number are located on the control box cover, visible when the controls tray is removed.