

Glow worm

Instructions for Use

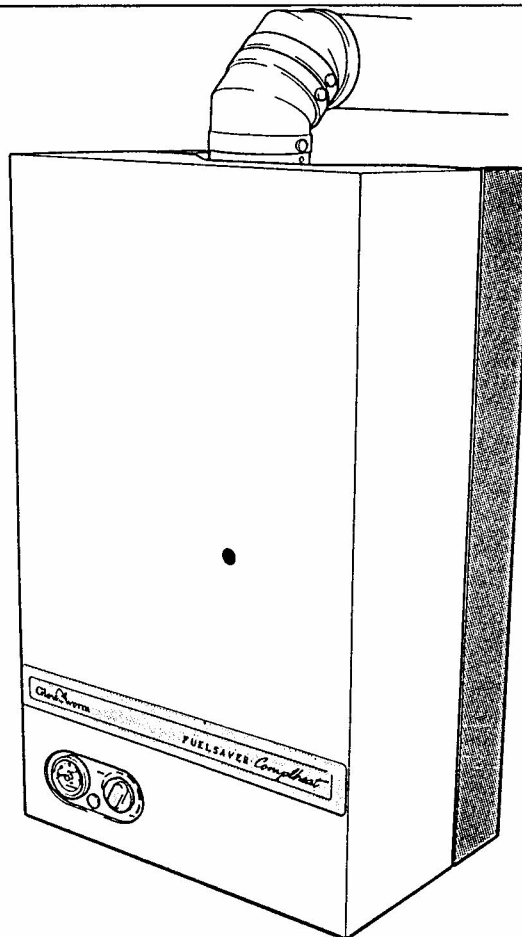
Keep for future reference

FUELSAVER

Complheat

RANGE

Fanned Flue
Sealed System Boiler



Introduction

These instructions should be read and carefully followed for the safe and economical use of your boiler.

The Complheat series are central heating boilers designed to provide central heating and fully indirect domestic hot water from a fully pumped, sealed water system only.

The boiler is fully automatic in operation, having only one user control, the boiler thermostat.

Important Notice

This boiler is for use on natural gas only and cannot be used on any other gas.

Gas Safety (Installation and Use) Regulations

In your interest and that of gas safety it is the Law that ALL gas appliances are installed by a competent person in accordance with the current issue of the above regulations.

Gas Leak or Fault

If a gas leak or fault exists or is suspected, the BOILER MUST BE TURNED OFF, including the electrical supply and MUST NOT BE USED UNTIL THE FAULT HAS BEEN PUT RIGHT. Advice/help should be obtained from your installation/servicing company or the local gas company.

Maintenance/Servicing

To ensure the continued efficient and safe operation of the boiler it is recommended that it is checked and serviced as necessary at regular intervals. The frequency of servicing will depend upon the particular installation conditions and usage, but in general once a year, preferably at the end of the heating season, should be enough.

It is the Law that any servicing must be carried out by a competent person.

3901

Boiler Clearances

If fixtures are positioned close to the boiler space must be left as shown in diagram 1. Enough space must also be left in front of the boiler to allow for servicing and maintenance.

Boilers Installed in a Compartment or Cupboard

If the boiler is installed in a compartment or cupboard do not obstruct any ventilation openings. Regularly make sure that the ventilation openings are clear of obstructions.

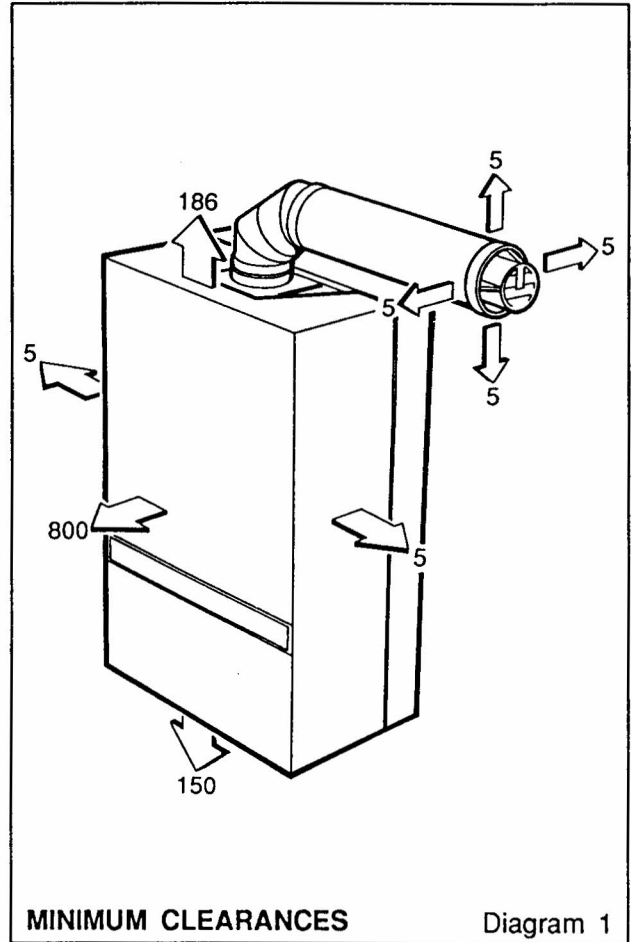
Do not use the compartment or cupboard for storage.

Cleaning

Caution. This appliance contains metal parts (components) and care should be taken when handling and cleaning with particular regard to edges.

Clean the casing occasionally by wiping it over with a damp soapy cloth or dry polishing duster.

Do not use an abrasive cleaner.



Boiler Electrical Supply

The boiler must be earthed.

The boiler must only be connected to a 240V~50Hz supply, protected by a 3A fuse.

All wiring must be in accordance with the current issue of the I.E.E. Wiring Regulations.

The electrical connection should preferably be by a fused double pole isolating switch, provided that it has a minimum contact separation of 3mm on both poles. This switch should be readily accessible and preferably adjacent to the appliance. It should supply the appliance only and be easily identifiable as so doing.

Alternatively, an unswitched shuttered socket outlet a 3A fused 3 pin plug both to the current issue of BS1363, provided that they are not used in a room containing a bath or shower.

Cable to the current issue of BS6500 Table 16 must be used to connect the boiler up.

The colours of three core cable are:

Brown - live,

Blue - neutral,

Green/yellow - earth.

As the markings on your plug may not correspond with these colours proceed as follows:

The wire coloured green/yellow must be connected to the plug terminal marked "E" or "Green" or the earth symbol. \perp

The wire coloured blue must be connected to the plug terminal marked "N" or "Black".

The wire coloured brown must be connected to the plug terminal marked "L" or "Red".

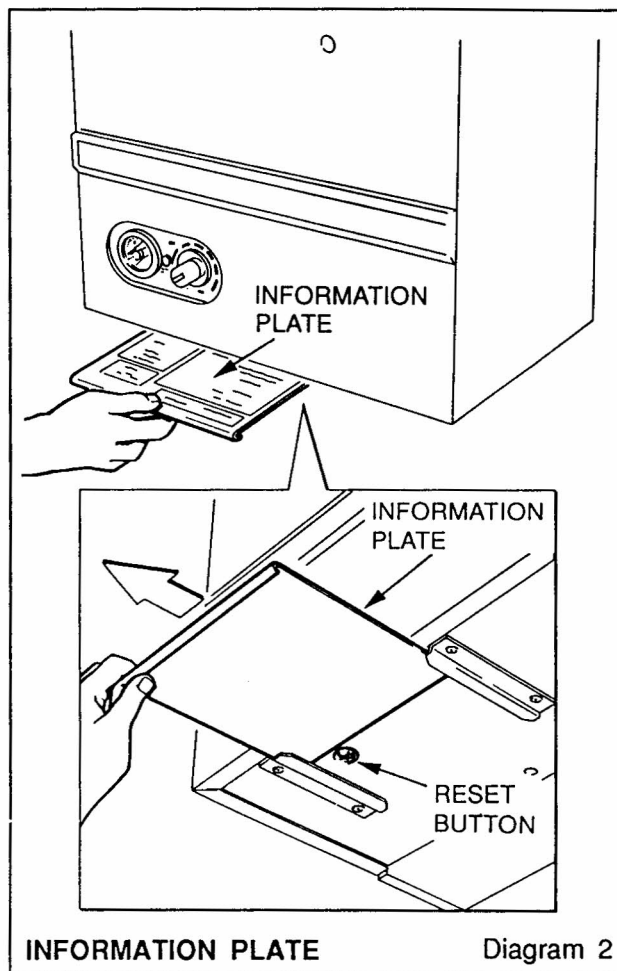
Electrical Supply Failure

Failure of the electrical supply will cause the burner to go out. Should this occur, operation of the boiler will normally resume after the electrical supply is restored.

If the boiler does not relight after an electrical supply failure the overheat cutoff device may need resetting. To do this, slide the information panel forward and press the button on the underside of the boiler, see diagram 2.

If the cutoff operates on any occasion, other than an electrical supply failure, press the reset button as stated in "Electrical Supply Failure".

If the cutoff occurs again, you must turn the boiler off and contact your installation/servicing company.



To Turn the Boiler On

WARNING: A sealed water system must only be filled and pressurised by a competent person.

Turn the electrical supply on to the boiler and check that any remote controls are set to your requirements (refer to manufacturers' instructions for these items).

Only light the boiler when you are sure that it and the system are full of water and pressurised.

If the red - Low Central Heating water pressure light comes "ON", there is a loss of water pressure in the system, the boiler WILL NOT WORK and you MUST contact your installation/servicing company.

The pressure gauge, see diagram 3, should show at least 0.7bar, (the red warning light should be off) anything less than this figure could indicate a leak and you again MUST contact your installation/servicing company.

Check that the isolating valves are open, the slots to be in line with the valve body, see diagram 4.

Turn the boiler thermostat knob, see diagram 3, clockwise to any position between "MIN" and "MAX". The maximum setting is about 82°C (180°F).

Note: The burner will not light between "O" and "MIN".

The burner lighting operation is now automatic as follows:

The fan operates, followed by an ignition spark until the pilot is lit. When the pilot is alight the ignition switches off and the main burner lights. The flames can be seen through the viewing window.

The main burner will remain alight until switched off by the boiler thermostat or other remote control.

If the boiler thermostat is switched off, by hand, wait at least 30 seconds before switching on again.

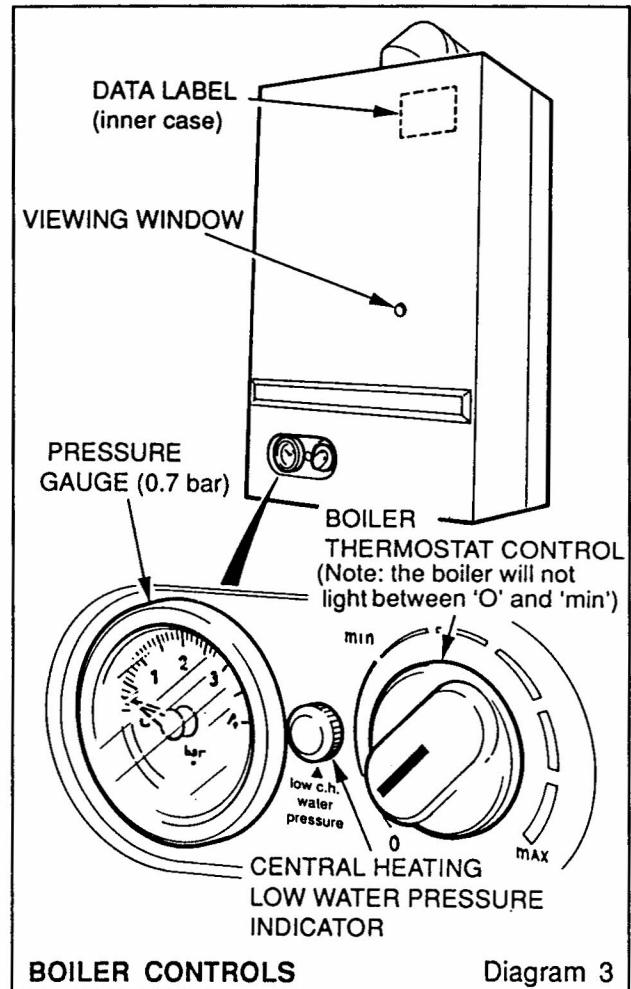
When the boiler switches off, both the pilot and main burner go out.

The automatic lighting sequence will operate again when heat is required.

To Turn the Boiler Off

For short periods, turn the boiler thermostat knob fully anti-clockwise to "O" - Off. To relight, turn the thermostat knob clockwise to any position between "MIN" and "MAX".

For longer periods, turn the boiler thermostat knob fully anti-clockwise to "O" - Off and switch off the electrical supply. To relight follow the lighting sequence given above.



Safety Valve

WARNING.

This boiler is fitted with a safety valve.

The valve **MUST NOT** be touched, if you see any discharge you should contact your installation/ servicing company.

Note: If there is a loss of pressure due to the discharge the red light will come on and the boiler will not work.

Draining and Filling

WARNING. A sealed water system must only be drained, refilled and pressurised by a competent person.

Protection Against Freezing

If the boiler is to be out of use for any long period of time during severe weather conditions we recommend that the whole system, including the boiler, be drained off to avoid the risk of freezing up. Make sure that, if fitted, the electric immersion heater in the cylinder is switched off.

The GC number of the boiler can be found on the Data Badge.

