



Heating technology since 1959

User Manual *for model*

RKA 100

Premix condensing boiler
with storage cylinder



*The code of practice for the installation,
commissioning & servicing of gas fires and wall heaters*

SEDBUK BAND A



GAS COUNCIL NUMBER: 47-651-22

User instructions.

CE 0694

TA05B099.A0306

BOILER OPERATING INSTRUCTIONS.

-  Make sure that the authorised technician who tested the boiler has stamped the guarantee booklet.
-  The installation, first start-up, regulation and maintenance operations must be carried out exclusively by qualified personnel (e.g. Radiant authorised Service Centres). Incorrect installation can cause damage to property and injury to persons or animals, for which the manufacturer will not be held responsible.

During the installation, the technician must carry out the following checks:

- *The data on the rating plate must correspond to that of the mains supply networks (gas, electricity, water).*
- *The boiler must be regulated according to its designed use and performance.*
- *The flue gas exhaust and combustion air intake system must be correctly installed and operational.*
- *The exhaust gas discharge and ventilation systems must comply with the requirements of national and local standards regardless of whether the boiler is installed indoors, outdoors or in its own cabinet (see section "Reference standards".*

General warnings

- ➡ If there is any doubt as to whether the appliance has been tested by an authorised technician, do not attempt to start it. All maintenance and gas conversion operations **MUST BE CARRIED OUT BY PROFESSIONALLY QUALIFIED PERSONNEL**, registered in accordance with current legislation and according to UNI-CIG 7129/01 and subsequent updates.
- ➡ ***Make sure that the requirements relating to the air intake and ventilation of the room in which the boiler is to be installed have been complied with.***
- ➡ ***The boilers can be installed outdoors in a partially protected location, in accordance with current standards and where the minimum external temperature does not fall below –10°C. The manufacturer will not be held responsible for installation in locations where the temperature falls to below –10°C.***
- ➡ The boiler is fitted with an antifreeze system. If the boiler is installed in a location where there is a risk of freezing, the anti-freeze system will only come into operation if the appliance is switched on (i.e. with the boiler switch in the ON position) and the gas supply valve is open. The manufacturer will not be held responsible for damage to the boiler caused by non-compliance with this instruction.
- ➡ Should any part of the boiler freeze-up, do not attempt to light it under any circumstances, but instead call the Service Centre immediately.
- ➡ The Benchmark Book is an integral part of an installation. The Benchmark handbook should be filled-in each time a boiler is installed. In addition to checking the combustion, all ordinary and extraordinary maintenance operations must be reported in the booklet together with the name of the person carrying out the maintenance and, where applicable, his company.
- ➡ The appliance's combustion system must be checked every two years. This check includes testing the efficiency of the boiler and must be carried out by authorised personnel possessing the qualifications as required by current law.
- ➡ Do not obstruct the ventilation openings in rooms where there are gas-burning appliances installed (boiler, cooker, etc.).

If you smell gas ...

- DO NOT ACTIVATE ANY ELECTRIC SWITCHES, TELEPHONES OR ANY OTHER DEVICE THAT MAY GENERATE ELECTRICAL DISCHARGES OR SPARKS.
- OPEN DOORS AND WINDOWS IMMEDIATELY TO CREATE A CURRENT OF AIR THAT WILL RAPIDLY CLEAR THE ROOM.
- CLOSE ALL GAS TAPS AND VALVES.
- CALL TRANSCO ON 0800 111 999.

Boiler controls - Control panel

LEGEND

1. ON/OFF SWITCH
2. HEATING TEMPERATURE CONTROL KNOB
3. D.H.W TEMPERATURE CONTROL KNOB
4. OUTSIDE TEMPERATURE DISPLAY BUTTON (ONLY WITH OPTIONAL OUTDOOR SENSOR FITTED)
5. SERVICE BUTTON.
6. SUMMER, WINTER OR SUMMER/WINTER SELECTION BUTTON.
7. TERMINAL BOARD FOR EXTERNAL WIRING.
8. D.H.W FUNCTION INDICATOR (THE BOILER IS IN SUMMER OR SUMMER/WINTER MODE)
 - a. FIXED LIGHT – THE BOILER IS READY TO SUPPLY HOT WATER
 - b. FLASHING LIGHT - THERE IS A CURRENT DEMAND FOR HOT WATER
9. CENTRAL HEATING FUNCTION INDICATOR (THE BOILER IS IN WINTER OR SUMMER/WINTER MODE)
 - a. FIXED LIGHT – THE BOILER IS READY TO SUPPLY HEATING
 - b. FLASHING LIGHT - THERE IS A CURRENT DEMAND FOR HEATING
10. ERROR WARNING LIGHT. THE APPROPRIATE ERROR CODE FLASHES ON THE DISPLAY (13)
11. LED INDICATING SYSTEM WATER PRESSURE AT 1.5 BAR
12. LED INDICATING INSUFFICIENT WATER IN THE SYSTEM
13. TEMPERATURE AND ERROR CODE DISPLAY

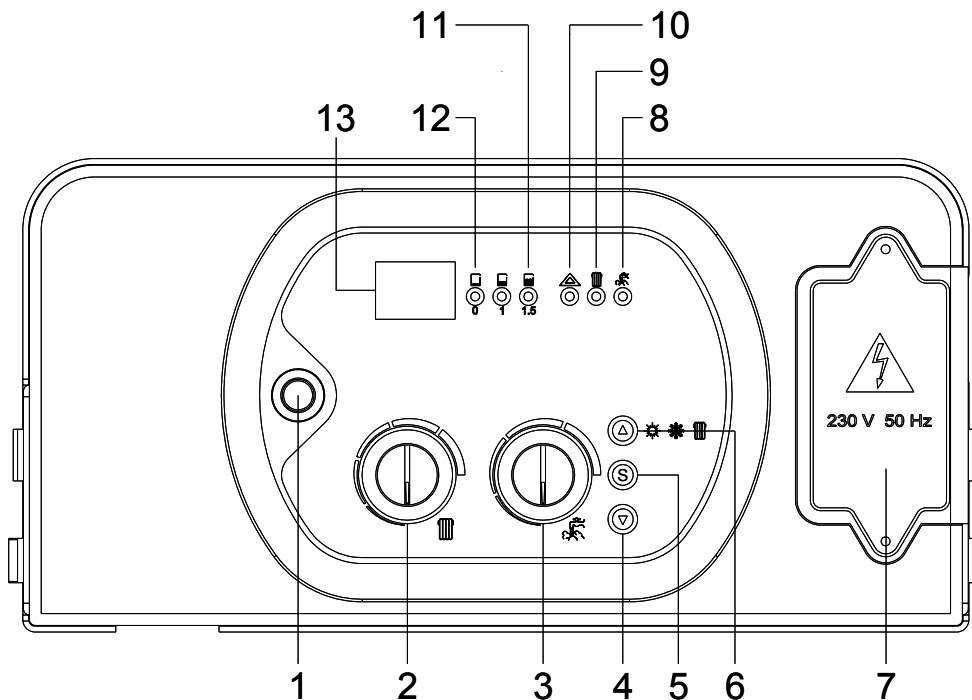


Fig. 1

Starting - up the boiler

- Open the gas Isolation valve located under the boiler.
- Switch on the boiler by placing the ON/OFF switch (1) in the ON position (fig. 1).
- The boiler will light automatically (with the WINTER mode selected and room thermostat connected).
- Check that there are no flashing numbers on the display 13 (see error codes). If code 04 flashes and led 12 is lit, this denotes that there is no water in the boiler. Consequently, fill the system as described in section "Filling the system".

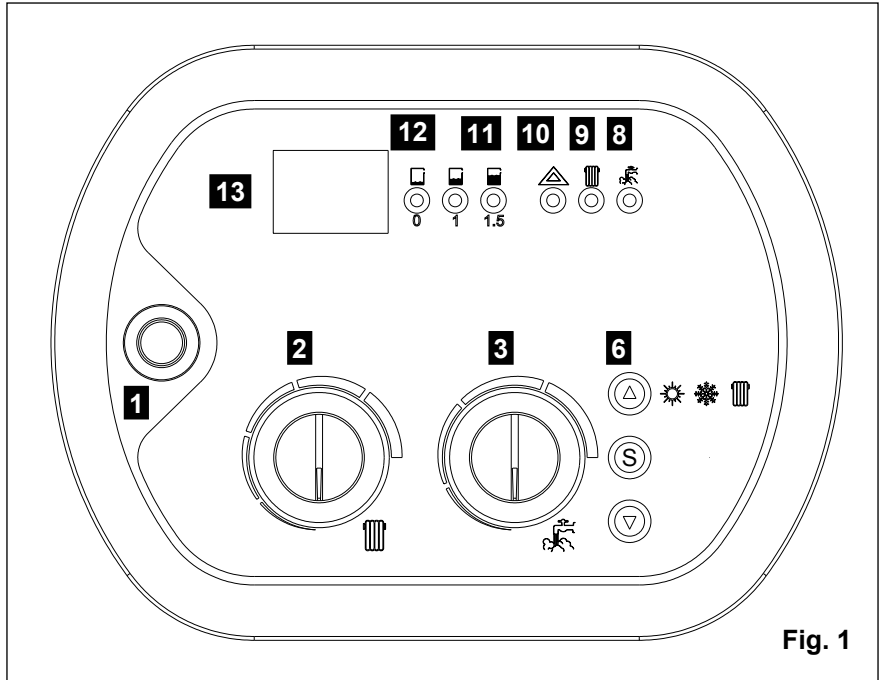


Fig. 1

■ "SUMMER" mode

To switch boiler operation to "SUMMER" mode, press button 6 (fig. 1). The boiler will only work for the D.H.W system. The "SUMMER" mode setting of the boiler is signalled by led 8 lit continuously on the control panel.

The automatic ignition system will light the burner every time there is a demand for domestic hot water. In this case, led 8 on the control panel will flash.

■ "WINTER" mode

To switch boiler operation to "WINTER" mode, press button 6 (fig. 1). The boiler will only work for the central heating system. The "WINTER" mode setting of the boiler is signalled by led 9 lit continuously on the control panel.

The automatic ignition system will light the burner every time there is a demand for room heating. In this case, led 9 on the control panel will flash.

■ "SUMMER-WINTER" mode

To switch boiler operation to "SUMMER/WINTER" mode, press button 6 (fig. 1). The boiler will work for both central heating/D.H.W systems. The "SUMMER/WINTER" mode setting of the boiler is signalled by led 8 and 9 lit continuously on the control panel.

The automatic ignition system will light the burner every time there is a demand for room heating or domestic hot water.

■ Regulating the heating temperature

The heating temperature is regulated by knob 2 (fig.1).

- Rotating the knob anticlockwise reduces the temperature.
- Rotating the knob clockwise increases the temperature.
- The range of temperature settings for the central heating runs from a minimum of 30°C to a maximum of 80°C, or, in the case of low temperature operation, from a minimum of 25°C to a maximum of 59°C.

■ **D.H.W temperature control**

The domestic hot water temperature is regulated by knob 3 (fig.1).

- Rotating the knob anticlockwise reduces the temperature.
- Rotating the knob clockwise increases the temperature.
- The range of temperature settings for the domestic hot water runs from a minimum of 35°C to a maximum of 60°C.

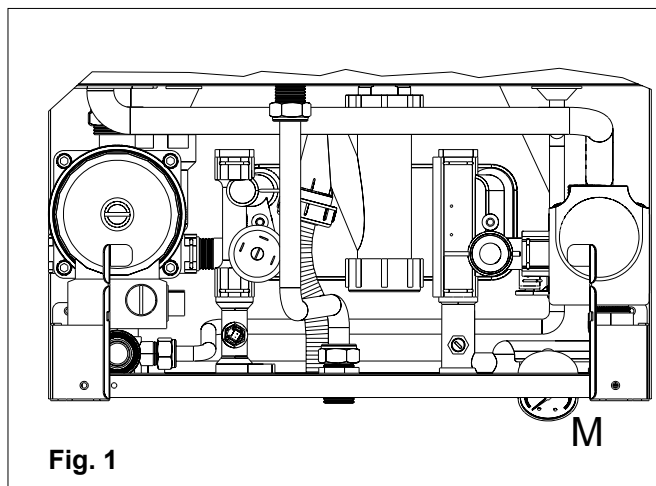
■ **Topping-up the system with water**

The water pressure in the central heating circuit must be checked during the entire period of operation of the boiler. In this respect, the reading on the pressure gauge **M** (fig. 1), located on the lower part of the boiler, must not be less than 1 bar.

If there is insufficient water in the boiler, led **12** on the control panel will light up (fig 1, page 63) and error code “04” will flash on the display **13**.

To bring the system back up to pressure, open the external filling loop valve (fig. 1) and use the pressure gauge **M** (fig. 1) to check that the system pressure reaches 1 bar and that led **11** lights up (fig. 1 page 63).

When the operation is complete, close the fill valve.



Diagnostics – Error codes:

This paragraph contains a list of error codes that the boiler may generate on the display **13** (fig. 1 page 63) together with the relative indications and the operations that the user can carry out to reset the boiler.

⚠ If the problem re-occurs after the following actions have been taken, call an authorised Service Centre.

⚠ *The Radiant Helpline UK 0870 770 0414*

1 Ionisation block

Led **10** lit continuously.

- Check that the gas valve on the boiler and gas meter are open and that there is gas in the mains supply (or in the tank).
- Switch off then switch on the appliance using switch **1** on the control panel.
- When led **10** goes out and the error code on the display disappears, the boiler will restart.

If the problem persists, **Call the Service Centre.**

2 Safety Thermostat tripped

Led **10** lit continuously. **Call the Service Centre.**

4 Water Pressure Switch tripped

Led **10** (fig. 1 page 63) lit continuously.

- Check the water pressure in the central heating circuit. The reading on the pressure gauge **M** (fig. 1), located on the lower part of the boiler, must not be less than 1 bar and led **11** must be lit.

- If the pressure is less than 1 bar, top-up the system as described in paragraph “Filling the system”.
- The boiler will restart automatically.

If the problem persists, **Call the Service Centre.**

5 Heating Sensor malfunction

Led **10** lit continuously. **Call the Service Centre.**

6 D.H.W Sensor malfunction (only for model RKR 25)

Led **10** lit continuously. **Call the Service Centre.**

22 Parameter programming request

Led **10** lit continuously. **Call the Service Centre.**

N.B. If the boiler is to be left unused for a long period of time, the user must do one of the following:

- *Make the boiler safe* by disconnecting all the power supplies (electricity and gas), and draining the heating system and the condensate trap.
- Leave the boiler in *standby*, leaving the electricity and gas supplies connected and, consequently the anti-freeze function.



Heating technology since 1959

RADIANT BRUCIATORI s.p.a.

Via Pantanelli, 164/166 - 61025 Loc. Montelabbate (PU)
Tel. +39 0721 9079.1 • fax. +39 0721 9079289
e-mail: tecnico@radiant • Internet: <http://www.radiant.it>

RADIANT HELPLINE UK

Technical Helpline - 0870 770 0414
Spares - 0870 770 0425
Email - info@portsdean.co.uk



***The code of practice for the installation,
commissioning & servicing of gas fires and wall heaters***

THE TECHNICAL DATA AND MEASUREMENTS ARE PROVIDED FOR INFORMATION PURPOSES ONLY AND ARE NOT BINDING. THE COMPANY RESERVES THE RIGHT TO APPLY VARIATIONS WITHOUT PRIOR NOTIFICATION. NEITHER WILL THE COMPANY BE HELD RESPONSIBLE FOR ANY INACCURACIES IN THIS HANDBOOK DERIVING FROM PRINTING OR TRANSLATION ERRORS. E+OEALL RIGHTS RESERVED. NO PART OF THIS DOCUMENT MAY BE REPRODUCED, MEMORISED IN ANY FILING SYSTEMS OR TRANSMITTED IN ANY FORM WHATSOEVER, INCLUDING ELECTRONIC, MECHANICAL, PHOTOCOPIES, RECORDINGS OR ANY OTHER MEANS WITHOUT THE COMPANY'S PRIOR WRITTEN APPROVAL.

TA05B099.A0306